

# TRUVOX INTERNATIONAL

## ORBIS CORDLESS BURNISHER

includes Parts List & Electrical Wiring Diagram



USER MANUAL	<b>EN</b>	2
BEDIENUNGSANLEITUNG	<b>DE</b>	8
MANUEL D'UTILISATION	<b>FR</b>	15
MANUAL DEL USUARIO	<b>ES</b>	21



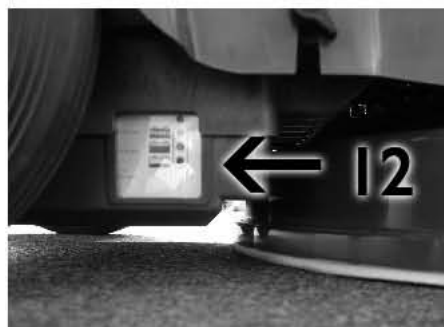
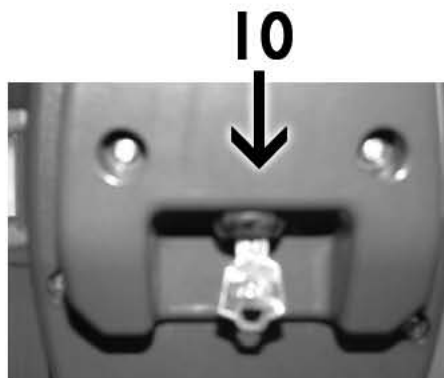
CE

03-8203-0000 05/12 V.1

[www.truvox.com](http://www.truvox.com)



A Tacony Company



**ORIGINAL INSTRUCTIONS**

**WARNING - READ THESE INSTRUCTIONS BEFORE USING THE MACHINE & RETAIN FOR FUTURE REFERENCE**

**ORBIS CORDLESS BURNISHER**

The following manual contains important information about the machine and safety advice for the operator.



**WARNING**



**Earth Ground Symbol**



**Waste Electrical & Electronic Equipment (WEEE)**

Do not dispose of this device with unsorted waste. Improper disposal may be harmful to the environment and human health. Please refer to your local waste authority for information on return and collection systems in your area.

**EC DECLARATION OF CONFORMITY**

**Machine Type:** Rotary Floor Burnishing Machine

**Type:** Orbis Cordless Burnisher      **Model:** OCB451500...

This machine is in conformity with the following EU directives:

2006/42/EC      **Machinery Directive**

2004/108/EC      **The EMC Directive**

**Applied harmonised standards**  
EN60335-1, EN60335-2-67,  
EN60335-2-29, EN55014-1,  
EN55014-2, EN610003-2,  
EN610003-3, EN62233

**CE** *M. Eneas*

**Truvox International**  
Third Avenue, Millbrook  
SO15 0LE, Southampton  
Hampshire, England

Malcolm Eneas  
*Operations Manager*  
Southampton, 29-12-2009

**TECHNICAL SPECIFICATIONS**

<b>Model</b>		<b>Orbis UHS Cordless Burnisher</b>
<b>Product Code</b>		<b>OCB451500</b>
Charging voltage AC (~)/ Frequency	V/ Hz	100-230/ 50-60
Battery voltage DC	V	24
Battery details		2x 12V 44AH (C5)
Motor power	W	480
Run time	h	2
Charge time	h	8
Productivity rate	m <sup>2</sup> /h	860
Pad diameter	cm	43
Pad speed	rpm	1500
Pad pressure	g/cm <sup>2</sup>	3
Sound pressure level	dB(A)	56.6
Handle vibration	m/s <sup>2</sup>	< 2.5
Dimensions with handle (L x W x H)	cm	70 x 45 x 86
Dimensions without handle (L x W x H)	cm	70 x 45 x 50
Weight with batteries	kg	62.5
Weight without batteries	kg	22.5
Warranty	1 Year	
<ul style="list-style-type: none"> <li>• Sound pressure level measured at a distance of 0.25 metres from machine and 1.5 metres above the floor, when burnishing a hard floor. Measurements recorded using hand held meter.</li> <li>• Handle vibration does not exceed 2,5 m/s<sup>2</sup>, when operating on any surface with pads. Measurements recorded by an independent test laboratory.</li> </ul>		

**If you have any queries or questions, please contact the supplier who you purchased the machine from or Truvox International.**

**Truvox International Limited**  
Third Avenue, Millbrook, Southampton, Hampshire,  
SO15 0LE, United Kingdom; Tel.: +44 (0) 23 8070 6600;  
Fax: +44 (0) 23 8070 5001; Email: sales@truvox.com;  
Web: www.truvox.com

**Please refer to machine pictures on page 1**

- |   |  |
|---|--|
| <b>1 Interlock button, left or right</b><br>Used to switch motor ON and OFF. Can only be operated with handle in working position, and if left hand interlock button has previously been depressed. | <b>4 Solution feed lever</b><br>Operates flow valve in spray bottle (if fitted).<br>- Pull lever to release solution.<br>- Release lever to stop flow. |
| <b>2 Switch trigger, left or right</b><br>Used to switch motor ON and OFF. Can only be operated with handle in working position, and if left hand interlock button has previously been depressed.   | <b>5 Handle</b>  |
| <b>3 Handle adjustment lever</b><br>Used to adjust handle to comfortable working height. Note: For safety reasons the machine cannot be operated unless the handle is moved to a working height.    | <b>6 Battery cover</b>   |
|   | <b>7 Motor cover</b>   |
|   | <b>8 Brush guard</b>   |
|   | <b>9 Battery life indicator</b><br>Gives indication of battery life available.   |
|   | <b>10 Key operated switch</b><br>Switches battery power ON and OFF.  |
|   | <b>11 Battery charging lead</b><br>Connects machine to electricity supply for battery charging.  |
|   | <b>12 Battery charge indicator lights</b><br>Shows charge state of battery.  |

**1. Product information**

These commercial floor treatment machines are designed for the high speed polishing and burnishing of hard floors in indoor areas. A passive dust control system is supplied as standard with each model. This commercial battery powered Cordless Burnisher is the latest innovation at the forefront of daytime cleaning. Its quietness of operation and compact design make it ideal for use in a variety of environments. Maintenance free (gel) batteries must be used which provide up to 2 hours running time. A battery life indicator allows operator to assess the degree of battery life available, and an on board battery charger provides convenient charging. The machine can be fitted with an optional handle mounted cleaning solution spray system, which can be operated whilst gripping the handle with both hands thereby maintaining full control of the machine. The machine is intended for commercial use, for example in hotels, schools, hospitals, factories, shops, offices, rental businesses and other than normal housekeeping purposes.

The following instructions contain important information about the machines and safety advice for the operator. These instructions are valid for the following models:

**Orbis Cordless Burnisher – OCB451500...**

Equipment must be operated, serviced and maintained in accordance with the manufacturer's instructions. If in doubt contact the supplier of your machine.



**1.1 Important safety advice**

When using this machine, basic safety precautions should be followed, including the following:

- This machine must only be used for the manufacturer's approved application as described in this manual.
- Please note that the safety information described in the manual supplements and does not replace standards in force in the country in which the machine is used.
- **WARNING** - Only use accessories and spare parts provided with the machine or those approved by the manufacturer. The use of other spare parts or accessories may impair the safety of the machine.
- **CAUTION** - This machine is for dry indoor use only and should not be used or stored outdoors in wet conditions.
- All parts are to be positioned as indicated in the instructions before using the machine.
- The machine must be unpacked and assembled in accordance with these instructions before connecting to the electrical supply.
- **DO NOT** use where hazardous dust is present.
- **DO NOT** use in an explosive atmosphere.
- **DO NOT** pick up or use near flammable fluids, dusts or vapours.
- **DO NOT** use to pick up moisture or any liquids.
- **DO NOT** use to clean up any burning or lighted materials such as cigarettes, matches, ashes or other combustible objects.
- Take care when using a machine near the top of stairs to avoid overbalancing.
- Only use the machine on firm level surfaces. **DO NOT** use on a gradient or more than 2% slopes.
- **DO NOT** operate this machine on rough uneven surfaces e.g. industrial concrete floors.
- **DO NOT** use on coarse concrete surfaces.
- **DO NOT** use outdoors e.g. on patios, decks or rough surfaces.
- **DO NOT** sweep over wet surfaces.
- **WARNING** – Do not fill machine with water hotter than 50°C.
- **DO NOT** use diesel/petrol or corrosive detergents to wash floors.
- **DO NOT** wash and vacuum corrosive, flammable and/or explosive liquids, even if diluted.
- **DO NOT** put any object into openings.
- **DO NOT** use with any opening blocked; keep free of dust, debris and anything that may reduce airflow.
- **DO NOT** cover machine when in use.
- **DO NOT** operate the machine when connected to the mains electrical supply.
- **DO NOT** leave the key in the operating switch when not in use, always remove the key.
- The key of the operating switch must be removed before commencing cleaning of the machine or undertaking maintenance operations.

- **DO NOT** leave the machine connected to the electricity supply when not in use; always remove the plug from the socket outlet.
- **DO NOT** leave machine running unattended.
- This machine should always be connected to a fully earthed power supply of the right voltage and frequency.
- The machine shall be disconnected from its power source during its cleaning or maintenance and when replacing parts or accessories, by removing the plug from the socket-outlet.
- **DO NOT** use if it has been damaged left outdoors or dropped into water.
- **DO NOT** operate switches or touch the mains plug with wet hands as this may cause electric shock.
- **WARNING** - Keep the power supply cord clear of moving parts (and/or rotating brushes). During operation hazard may occur when running the machine over the power supply cord.
- **DO NOT** operate the machine with a damaged supply cord or plug, or after the machine malfunctions or is damaged in any way. Contact an authorised Service Agent for repair or adjustment.
- **DO NOT** pull or carry by the supply cord. **DO NOT** use cord as a handle, close door on cord or pull cord around sharp edges or corners.
- The plug of the power supply cord must be removed from the socket-outlet before commencing cleaning of the machine or undertaking maintenance operations.
- **DO NOT** kink or twist the power cord and keep cord away from heated surfaces.
- When unplugging, pull the plug, not the supply cord.
- Only use the supplied charger when charging.
- **DO NOT** use a damaged charger.
- When not in use the charger should be removed from the mains supply socket.
- The plug of the charger cable must be removed from the socket-outlet before commencing cleaning of the machine or undertaking maintenance operations.
- **DO NOT** charge the machine with a damaged battery charging lead or plug, or after the machine malfunctions or is damaged in any way. Contact an authorised Service Agent for repair or adjustment.
- The battery charging lead is to be regularly inspected for signs of damage. If the lead is damaged, it shall only be replaced by the manufacturer, its service agent or a similar qualified person in order to avoid a hazard.
- When recharging ensure area is sufficiently ventilated.

#### **General warnings about batteries**

- **WARNING** - Use appropriate personal protection equipment to avoid contact with the skin (see standards in force in the country in which the machine is used).
- **DO NOT** inhale the vapour, it is dangerous.
- It is forbidden to smoke and/ or use naked flames within 2 metres of the battery during charging, in the charging area and while the battery is cooling after charging.
- Report any liquid leaking from the battery. Leaks are dangerous and highly polluting.
- **WARNING** - In the event of a fire, use approved powder extinguishers only; **DO NOT** use water to put out the fire.

#### **1.2 Guidelines for the operator**

- This machine is not intended for use by persons (including children) with reduced physical, sensory or mental capabilities, or lack of experience and knowledge, unless they have been given supervision or instruction concerning use of the machine by a person responsible for their safety.
- Operators must be fully trained in the use of the machine in accordance with these instructions, able to perform user maintenance and the correct selection of accessories.
- Operators should be physically capable to manoeuvre, transport and operate the machines.
- Operators should be able to recognise unusual operation of the machine and report any problems.
- Keep children and unauthorised persons away from the machine when in use.
- Keep cleaning solutions away from children and pets at all times.
- **CAUTION** - This machine is for dry indoor use only and should not be used or stored outdoors in wet conditions.
- **DO NOT** clean the machine using water sprays or jets.
- Keep hair, loose clothing, hands, feet and all other parts of the body away from openings and moving parts.
- Keep machine clean and in good operating condition.
- Let the machine do the work. Grip the handle as lightly as possible.
- Stand with feet slightly apart to maintain good balance. Avoid twisting the body more than 45 degrees.
- Wear suitable footwear to avoid slipping.
- Wear suitable clothing to keep dry and warm.
- Where possible implement job rotation and adequate rest periods to avoid continuous use of the same muscles.
- **DO NOT** smoke when using the machine.

#### **1.3 Transporting the machine**

##### **CAUTION - THIS MACHINE IS HEAVY**

Do not attempt to lift the machine without assistance. Incorrect lifting techniques may result in personal injury. We advise that the manual handling regulations are followed. Please refer to the technical table for details on weight of machine. The machine can be moved to the area to be cleaned by wheeling on its rear transport wheels. When transporting the machine ensure that all components, tanks and removable parts are securely fastened. Take extreme care when moving the machine up or down steps or stairs. Do not lift the machine by the operating handle or outer cover, always lift from the chassis. To move the machine to the work area lock handle and tilt backwards to raise the front off the floor, and wheel into position. **CAUTION** – Bumping over thresholds, kerbs and similar obstacles can damage the machine. Small obstacles can be overcome by pulling the machine backwards.

## 2. Preparing for use

### 2.1 Electrical connection

Before connecting the machine to the power supply, check that your supply voltage corresponds with that marked on the rating label on the machine.

#### UK only

The supply cord for 230v models is fitted with a plug containing a 13 amp fuse. Should the fuse require replacement it must only be replaced by a 13 amp fuse conforming to BS1362, and the fuse cover must be refitted. If the fuse cover is lost the plug must not be used until the correct replacement cover is fitted.

Should an extension cord be used, ensure cord rating is adequate for the equipment. Do not use extension cord in coiled condition as this could result in overheating of the cord. The power supply cord plus any extension leads should not exceed 30 m in total. The cross-section of any extension cable wiring must be at least 2, 5 mm<sup>2</sup>.

**WARNING** – THIS APPLIANCE MUST BE EARTHED.

### 2.2 Fitting pads

**WARNING** - This appliance has been designed for use with quality burnishing pads only. The fitting of inappropriate pads may affect its performance and safety.

**WARNING** - Ensure the machine is switched off before adding or changing accessories.

- Fit pads suitable for the speed of the machine and the surface to be polished, as recommended by the pad manufacturer.
- Always ensure machine is switched OFF by the key operated switch (10) and the key removed before fitting or removing pads.

**CAUTION** – If spray bottle is fitted, lower handle (5) gently to avoid damaging bottle.

- Remove key. Fold handle and carefully tilt machine on rear castor.
- Remove pad retainer noting anti-clockwise thread.
- Press cleaning pad centrally onto drive board. Secure pad using pad retainer.
- Return machine to upright position.

**IMPORTANT** - Never allow the cleaning head to rest on the brush or drive disc and pad when not in use.

### 3. Controls

The operating controls are located on the handle (5). Please refer to page 1.

## 4. Operation

### 4.1 Starting the machine

**WARNING** - Never start the machine without a pad fitted.

- Do not keep the machine rotating on one spot, as this could cause overheating and damage the floor surface.
- Turn the key operated switch (10) to the ON position.
- With the handle (5) set at a comfortable working height and with both left and right hands on the handle, depress both interlock buttons (1) with the thumbs and squeeze both switch triggers (2) to start the machine
- Once the machine has started the interlock buttons (1) can be released. The machine will operate with either or both of the switch triggers (2) held.
- To stop the machine release the switch triggers (2).
- Normal movement of the machine is in a forward and backward direction.

### 4.2 Orbis spray system

- Pump plunger on top of bottle 10-15 times to build up spray pressure.
- Pull accessory trigger on handle to spray solution onto the floor.

### 4.3 When cleaning is finished

- Switch OFF machine, raise cleaning head and remove pad.
- Check battery life indicator and recharge as necessary.

### 4.4 Charging the batteries

**WARNING** - Only recharge the battery when the battery life indicator (12) is in the red zone (two lights remaining). Opportunity / top up charging will damage the batteries. This will cause run time to fall and overall battery life will be affected. **AVOID TOP UP CHARGING.** Charge only in a well-ventilated area.

- Note when 1 RED LED is showing on the battery life indicator the internal controller will disable the machine.
- Take the battery charging lead supplied with the machine plug into the mains supply, ensuring that the supply matches the rating plate.
- To fully charge the batteries takes approximately 8 hours.

The Battery charge indicator lights (12) show:-

Initially when charging:

- Red LED will be lit during the first phase of charging
- The yellow LED will be lit when the initial bulk charge is taking place.
- When the green LED light is flashing the battery is about 80% charged.
- The GREEN LED shows when the charger has switched over to float charge and that the battery is ready for use.
- The charger is set for GEL batteries only.
- Do not operate the machine when connected to the mains electrical supply.

## **5. Storage**

- Always unplug and wipe down and dry the machine after use.
- The machine should normally be stored with the handle in the fully upright position.
- Never store the machine with a pad or brush fitted as this causes distortion, and results in instability during operation.
- Store the machine in a dry indoor area only.

## **6. Maintenance**

**WARNING** - Before undertaking maintenance operations or adjustments switch off machine and unplug from the electricity supply. In addition safely disconnect the non-earthed pole of the battery (or by equivalent method).

**IMPORTANT** – All other servicing and repairs should only be performed by a Truvox engineer or Authorised Service Agent. **IMPORTANT** – Should the machine fail to operate please refer to the fault diagnosis section in the back of this instruction manual. If the problem/ remedy is not listed please contact Truvox Customer Service Department for rapid attention.

The machine requires minimum maintenance apart from the following checks by the operator prior to use:

- Charging cord and plug (11) - Regularly inspect sheath, plug and cord for damage or loose connection.
- Body of the machine - Clean with a damp cloth.
- Motor overload cut-out - All machines are fitted with an automatic reset motor overload cut-out. The cut-out will operate to protect the motor from overheating by switching the machine off when there is excessive friction/resistance to the cleaning head on the floor. This is usually caused by the stickiness of the pad or floor. Turn the cleaning pad over or if both sides are dirty replace with a clean pad. It is not possible to obtain a good finish on the floor using a dirty pad. Should the cut-out operate it will reset automatically when the motor has cooled sufficiently, usually after 15 - 30 min.

## **7. After sales service**

Truvox machines are high quality machines that have been tested for safety by authorised technicians. It is always apparent that after longer working periods, electrical and mechanical components will show signs of wear and tear or ageing. To maintain operational safety and reliability the following service interval has been defined: Every year or after 250 hours. Under extreme or specialised conditions and/or insufficient maintenance, shorter maintenance intervals are necessary. Use only original Truvox spare parts. Use of other spare parts will invalidate all warranty and liability claims. Should you require after sales service please contact the supplier from whom you purchased the machine, who will arrange service. Repairs and servicing of Truvox products should only be performed by trained staff. Improper repairs can cause considerable danger to the user.

## **8. Guarantee**

Your product is guaranteed for one year from the date of original purchase, or hire purchase, against defects in materials or workmanship during manufacture. Within the guarantee period we undertake at our discretion, to repair or replace free of charge to the purchaser, any part found to be defective, subject to the following conditions:

### CONDITIONS

1. Claims made under the terms of the guarantee must be supported by the original invoice/bill of sale issued at the time of sale, or the machine Serial No.
2. For claims under this guarantee contact the supplier from whom you purchased the product who will arrange the appropriate action. Do not initially return the product as this could result in transit damage.
3. Neither Truvox nor its distributor shall be liable for any incidental or consequential loss.
4. This guarantee is governed by the laws of England.
5. This guarantee does not cover any of the following:
  - Periodic maintenance, and repair or replacement of parts due to normal wear and tear.
  - Damage caused by accident, misuse or neglect, or the fitting of other than genuine Truvox parts.
  - Defects in other than genuine Truvox parts, or repairs, modifications or adjustments performed by other than a Truvox service engineer or authorised service agent.
  - Costs and risks of transport relating directly or indirectly to the guarantee of this product.
  - Consumable items such as, brushes, drive discs, filters and vacuum skirts.
  - This guarantee does not affect your statutory rights, or your rights against the supplier arising from their sales or purchase contract. Truvox International Limited policy is one of continual product development and we reserve the right to alter specifications without prior notice.

## **9. Accessories**

<b>Item</b>	<b>Part No.</b>	<b>Usage</b>
Replacement 12V 44Ah maintenance batteries (2 required)	04-3833-0000	Replacement batteries
Spray system kit incl. mounting bracket & tubing	05-4156-000	Spray cleaning attachment

## **10. Fault diagnosis**

The following simple checks may be performed by the operator:

<b>Trouble</b>	<b>Reason</b>	<b>Remedy</b>
<b>No lights illuminated on charger module</b>	<ul style="list-style-type: none"><li>• Power failure</li></ul>	<ul style="list-style-type: none"><li>• Check the mains fuse, the power supply cord and plug</li></ul>
<b>Yellow LED flashing</b>	<ul style="list-style-type: none"><li>• Unsuitable battery</li><li>• Battery not connected</li></ul>	<ul style="list-style-type: none"><li>• Contact service agent</li><li>• Connect battery</li></ul>
<b>Only Red LED on charger module is illuminated</b>	<ul style="list-style-type: none"><li>• Charger not connected correctly</li><li>• Battery is faulty</li><li>• Charging time out</li></ul>	<ul style="list-style-type: none"><li>• Contact service agent</li></ul>
<b>Machine not working</b>	<ul style="list-style-type: none"><li>• Switch interlock incorrectly operated</li><li>• Current overload fuse blown*</li></ul>	<ul style="list-style-type: none"><li>• Check operating procedure instructions</li><li>• Contact service agent</li></ul>
<b>Machine wobbles or vibrates excessively</b>	<ul style="list-style-type: none"><li>• Pad worn or damaged</li><li>• Pad not centred on drive disc</li><li>• Pad dirty</li><li>• Incorrect pad selection</li></ul>	<ul style="list-style-type: none"><li>• Renew pad</li><li>• Place pad in correct position</li><li>• Clean the pad</li><li>• Contact pad supplier</li></ul>

\* If the fuse blows several times, the machine should be checked by an authorised Service Agent.



**ACHTUNG – LESEN SIE DIESE ANLEITUNG VOR DER VERWENDUNG DES GERÄTES SORGFÄLTIG DURCH UND BEWAHREN SIE SIE FÜR REFERENZZWECKE AUF**

**ORBIS SCHNURLOSE POLIERMASCHINE**

Diese Bedienungsanleitung enthält wichtige Informationen zu diesem Gerät sowie Sicherheitsanweisungen für den Benutzer.



**ACHTUNG**



**Erdungssymbol**



**Elektro- und Elektronik-Altgeräte (WEEE)**  
Entsorgen Sie dieses Gerät nicht im Hausmüll. Eine unsachgemäße Entsorgung kann die Umwelt und die Gesundheit schädigen. Wenden Sie sich für Informationen über die Abgabe- und Sammelsysteme in Ihrer Region an die lokale Entsorgungsstelle.

**EU-KONFORMITÄTSERKLÄRUNG**

**Gerätetyp:** Rotierende Bodenpoliermaschine

**Typ:** Orbis Cordless Burnisher **Modell:**  
(schnurlose Poliermaschine) OCB451500...

Dieses Gerät entspricht den folgenden EU-Richtlinien:

2006/42/EG **Maschinenrichtlinie**

2004/108/EG **EMV-Richtlinie**

**Angewendete harmonisierte Normen**  
EN60335-1, EN60335-2-67,  
EN60335-2-29, EN55014-1,  
EN55014-2, EN610003-2,  
EN610003-3, EN62233

**CE** *M. Eneas*

**Truvox International**  
Third Avenue, Millbrook  
SO15 0LE, Southampton  
Hampshire, England

Malcolm Eneas  
*Operations Manager*  
Southampton, 29-12-2009

**TECHNISCHE ANGABEN**

<b>Modell</b>		<b>Orbis UHS Cordless Burnisher (schnurlose Poliermaschine)</b>
<b>Produktnummer</b>		<b>OCB451500</b>
Ladespannung AC (~)/ Frequenz	V/ Hz	100-230/ 50-60
Batteriespannung DC	V	24
Batterieangaben		2x 12 V 44 AH (C5)
Motorleistung	W	480
Laufzeit	h	2
Ladezeit	h	8
Arbeitsleistung	m <sup>2</sup> /h	860
Reinigungsscheiben- Durchmesser	cm	43
Scheibendrehzahl	U/min	1500
Reinigungsscheiben-Druck	g/cm <sup>2</sup>	3
Geräuschpegel	dB(A)	56.6
Griffvibration	m/s <sup>2</sup>	< 2.5
Abmessungen mit Griff (H x B x L)	cm	70 x 45 x 86
Abmessungen ohne Griff (H x B x L)	cm	70 x 45 x 50
Gewicht mit Batterien	kg	62.5
Gewicht ohne Batterien	kg	22.5
Gewährleistung		1 Jahr
<ul style="list-style-type: none"> <li>Die Geräuschartwicklung wurde im Abstand von 0,25 Meter von der Maschine und 1,5 Metern über dem Boden beim Polieren von Hartboden gemessen. Die Messungen wurden mit einem Handmessgerät durchgeführt.</li> <li>Die Griffvibration übersteigt 2,5 m/s<sup>2</sup> auf allen Oberflächen im Betrieb mit Polierscheiben nicht. Die Messungen wurden von einem unabhängigen Testlabor durchgeführt.</li> </ul>		

**Wenn Sie Probleme oder Fragen haben, wenden Sie sich an den Fachhändler, bei dem Sie die Maschine erworben haben, oder an Truvox International.**

**Truvox International Limited**

Third Avenue, Millbrook, Southampton, Hampshire,  
SO15 0LE, Großbritannien; Tel.: +44 (0) 23 8070 6600;  
Fax: +44 (0) 23 8070 5001; E-Mail: sales@truvox.com;  
Web: www.truvox.com

## Beachten Sie die Geräteabbildungen auf Seite 1

- |   |  |
|---|--|
| <p><b>1 Sicherungstaste, links oder rechts</b><br/>Zum Ein- und Ausschalten des Motors. Kann nur bedient werden, wenn sich der Griff in Arbeitsposition befindet und wenn die Sicherungstaste für die linke Hand vorher gedrückt wurde.</p> <p><b>2 Starthebel, links oder rechts</b><br/>Zum Ein- und Ausschalten des Motors. Kann nur bedient werden, wenn sich der Griff in Arbeitsposition befindet und wenn die Sicherungstaste für die linke Hand vorher gedrückt wurde.</p> <p><b>3 Justierhebel für den Griff</b><br/>Zur Einstellung einer angenehmen Arbeitshöhe des Griffs. Anmerkung: Aus Sicherheitsgründen kann die Maschine erst bedient werden, wenn der Griff in Arbeitshöhe gebracht wurde.</p> | <p><b>4 Laugenhebel</b> Steuert das Ventil am Sprüher (wenn montiert).<br/>- Ziehen Sie am Hebel, um das Ventil zu öffnen.<br/>- Lassen Sie den Hebel los, um das Ventil zu schließen.</p> <p><b>5 Griff</b></p> <p><b>6 Batterieabdeckung</b></p> <p><b>7 Motorabdeckung</b></p> <p><b>8 Bürstenschutz</b></p> <p><b>9 Batteriestandsanzeige</b><br/>Zeigt den Ladezustand der Batterie an.</p> <p><b>10 Schlüsselschalter</b><br/>Schaltet die Stromversorgung durch die Batterie EIN und AUS.</p> <p><b>11 Anschluss Batterieladegerät</b><br/>Verbindet die Maschine zum Laden der Batterie mit dem Netzanschluss.</p> <p><b>12 Batterieanzeige-Leuchten</b> Zeigen den Ladezustand der Batterie an.</p> |
|---|--|

## 1. Produktinformationen

Diese professionellen Bodenbehandlungsmaschinen sind zum Hochgeschwindigkeitspolieren und -glätten von Hartböden in Innenräumen bestimmt. Ein passives Staubkontrollsystem wird standardmäßig mit jedem Modell geliefert. Diese professionelle batteriebetriebene Poliermaschine ist die neuste Innovation für die moderne Tagesreinigung. Ihr leiser Betrieb und ihr kompaktes Design machen sie ideal für den Einsatz in verschiedensten Umgebungen. Es müssen wartungsfreie (Gel-)Batterien verwendet werden, die eine Laufzeit von bis zu 2 Stunden gewährleisten. Eine Batteriestandsanzeige ermöglicht es dem Benutzer, die restliche Laufzeit der Batterie einzuschätzen und ein integriertes Ladegerät erleichtert das Aufladen. Die Maschine kann mit einem optionalen Sprühsystem für Reinigungslauge ausgestattet werden, das am Griff montiert wird und betrieben werden kann, während beide Hände am Griff liegen, sodass die volle Kontrolle über die Maschine beibehalten wird. Das Gerät ist für die gewerbliche Nutzung, zum Beispiel in Hotels, Schulen, Krankenhäusern, Fabriken, Ladengeschäften, Büros, Vermietungsunternehmen und andere Zwecke außer der normalen Haushaltsreinigung vorgesehen.

Diese Bedienungsanleitung enthält wichtige Informationen zu den Geräten sowie Sicherheitsanweisungen für den

Benutzer. Diese Bedienungsanleitung gilt für folgende Modelle:

## Orbis Cordless Burnisher – OCB451500... (schnurlose Poliermaschine)



Das Gerät muss im Einklang mit den Anweisungen des Herstellers bedient, instand gehalten und gewartet werden. Wenden Sie sich im Zweifelsfall an Ihren Fachhändler.

### 1.1 Wichtiger Sicherheitshinweis

Bei der Verwendung dieses Geräts sollten die grundlegenden Sicherheitsvorkehrungen eingehalten werden, unter anderem die folgenden:

- Das Gerät darf nur für den vom Hersteller vorgesehenen Verwendungszweck, wie in dieser Anleitung beschrieben, verwendet werden.
- Beachten Sie, dass die Sicherheitshinweise in den Ergänzungen zur Bedienungsanleitung keinen Vorrang vor den Normen in dem Land, in dem das Gerät benutzt wird, haben.
- **ACHTUNG** - Verwenden Sie nur Zubehör- und Ersatzteile, die mit der Maschine geliefert werden oder vom Hersteller zugelassen sind. Durch die Verwendung anderer Ersatz- oder Zubehörteile kann die Sicherheit der Maschine beeinträchtigt werden.
- **HINWEIS** - Diese Maschine ist nur für die Verwendung in trockenen Innenräumen vorgesehen und darf nicht im Freien bei feuchtem Wetter verwendet oder gelagert werden.
- Alle Teile müssen vor der Benutzung des Gerätes wie in der Anleitung angegeben positioniert werden.
- Das Gerät muss vor seinem Anschluss an die Stromversorgung entsprechend dieser Anleitung ausgepackt und montiert werden.
- Verwenden Sie das Gerät **NICHT** in Räumen mit gefährlichem Staub.
- Verwenden Sie das Gerät **NICHT** in explosionsfähigen Atmosphären.
- Starten oder verwenden Sie das Gerät **NICHT** in der Nähe entzündlicher Flüssigkeiten, Stäube oder Dämpfe.
- Verwenden Sie das Gerät **NICHT** zum Aufsaugen von Feuchtigkeit oder Flüssigkeiten.
- Verwenden Sie das Gerät **NICHT**, um damit brennende oder glimmende Materialien wie Zigaretten, Streichhölzer, Asche oder andere entzündliche Gegenstände aufzunehmen.
- Verwenden Sie das Gerät am oberen Ende von Treppen mit Vorsicht, um Unfälle durch Gleichgewichtsverlust zu vermeiden.
- Nutzen Sie das Gerät nur auf festen, ebenen Oberflächen. Verwenden Sie das Gerät **NICHT** auf schrägen Flächen und bei einem Gefälle von mehr als 2 %.
- Benutzen Sie das Gerät **NICHT** auf rauen, unebenen Flächen wie industriellen Betonböden.
- Verwenden Sie das Gerät **NICHT** auf groben Betonoberflächen.
- Verwenden Sie das Gerät **NICHT** in Außenbereichen wie z.Bsp. Innenhöfen oder Terrassen oder auf rauen Oberflächen.
- Verwenden Sie das Gerät **NICHT** auf nassen Flächen.
- **ACHTUNG** – Befüllen Sie die Maschinen nicht mit Wasser, das wärmer ist als 50 °C.

- Verwenden Sie **NIEMALS** Diesel/Benzin oder ätzende Reinigungsmittel auf den Böden.
- Wischen und saugen Sie **NIEMALS** ätzende, entflammbare und/oder explosive Flüssigkeiten, auch nicht in Verdünnung.
- Stecken Sie **KEINE** Gegenstände in die Öffnungen des Geräts.
- Verwenden Sie das Gerät **NICHT**, wenn Öffnungen versperrt sind. Entfernen Sie Staub, Unrat und alles, was zu einer Beeinträchtigung des Luftstroms führen könnte.
- Decken Sie das Gerät während der Benutzung **NICHT** ab.
- Betreiben Sie das Gerät **NICHT**, wenn es ans Stromnetz angeschlossen ist.
- Ziehen Sie **IMMER** den Schlüssel aus dem Schalter ab, wenn das Gerät nicht benutzt wird.
- Bevor die Maschine gereinigt oder gewartet wird, muss der Schlüssel aus dem Betriebsschalter abgezogen werden.
- Ziehen Sie den Stecker der Maschine **IMMER** nach der Verwendung aus der Steckdose; lassen Sie das Gerät nie an die Stromversorgung angeschlossen.
- Lassen Sie das Gerät **NICHT** unbeaufsichtigt laufen.
- Die Maschine sollte immer mit einem ordnungsgemäß geerdeten Stromanschluss mit der richtigen Spannung und Frequenz verbunden werden.
- Wenn es gereinigt oder gewartet wird oder wenn Teile oder Zubehör ausgetauscht werden, sollte das Gerät immer durch Abziehen des Steckers aus der Steckdose von der Stromversorgung getrennt werden.
- Benutzen Sie das Gerät **NICHT**, wenn es beschädigt, draußen stehen gelassen oder in Wasser eingetaucht wurde.
- Betätigen Sie die Schalter und berühren Sie den Netzstecker **NICHT** mit nassen Händen, da Sie dabei einen elektrischen Schlag bekommen können.
- **ACHTUNG** - Halten Sie das Stromkabel von sich bewegenden Teilen (und/oder rotierenden Bürsten) fern. Wenn die Maschine während des Betriebs über das Stromkabel fährt, besteht Unfallgefahr.
- Betrieben Sie die Maschine **NICHT** wenn das Stromkabel oder der Stecker beschädigt sind oder wenn die Maschine technische Fehler oder Beschädigungen aufweist. Wenden Sie sich zur Reparatur oder Justierung an einen autorisierten Wartungstechniker.
- Ziehen oder tragen Sie das Gerät **NICHT** am Kabel. Verwenden Sie das Kabel **NICHT** als Griff. Klemmen Sie das Kabel nicht in Türen ein und ziehen Sie es nicht über scharfe Kanten oder Ecken.
- Bevor die Maschine gereinigt oder gewartet wird, muss der Stecker des Stromkabels aus der Steckdose gezogen werden.
- Knicken und verdrehen Sie das Kabel **NICHT** und halten Sie das Stromkabel von heißen Flächen fern.
- Ziehen Sie beim Abziehen des Steckers immer am Stecker, nicht am Kabel.
- Verwenden Sie zum Aufladen nur das mitgelieferte Ladegerät.
- Benutzen Sie **NIEMALS** ein beschädigtes Ladegerät.
- Wenn es nicht benutzt wird, sollte das Ladegerät aus der Steckdose abgezogen werden.
- Bevor die Maschine gereinigt oder gewartet wird, muss der Stecker des Ladekabels aus der Steckdose gezogen werden.
- Laden Sie die Maschine **NICHT**, wenn das Ladekabel oder der Stecker beschädigt sind oder wenn die Maschine technische Fehler oder Beschädigungen aufweist. Wenden

Sie sich zur Reparatur oder Justierung an einen autorisierten Wartungstechniker.

- Das Ladekabel muss regelmäßig auf Schäden überprüft werden. Wenn das Kabel beschädigt ist, darf es nur vom Hersteller, einem autorisierten Fachhändler oder einer ähnlich qualifizierten Person ausgetauscht werden, um Unfallgefahren zu vermeiden.
- Während des Aufladens muss der Raum ausreichend belüftet sein.

### **Allgemeine Warnhinweise zu Batterien**

- **ACHTUNG** - Nutzen Sie eine geeignete Schutzausrüstung, um den Kontakt mit der Haut zu verhindern (siehe Vorschriften des Landes, in dem die Maschine eingesetzt wird).
- Atmen Sie die Dämpfe **NICHT** ein, diese sind gefährlich.
- Während des Ladens, im Ladebereich und während des Abkühlens der Batterie nach dem Laden sind bis zu einer Entfernung von 2 Metern von der Batterie das Rauchen und/oder die Benutzung offener Flammen untersagt.
- Aus der Batterie auslaufende Flüssigkeit ist zu melden. Lecks sind gefährlich und umweltschädlich.
- **ACHTUNG** - Benutzen Sie im Brandfall nur zugelassene Pulverlöscher; versuchen Sie **NICHT**, das Feuer mit Wasser zu löschen.

•

### **1.2 Richtlinien für die Benutzer**

- Diese Maschine sollte nicht von Personen (einschließlich Kindern) mit eingeschränkten physischen, sensorischen oder geistigen Fähigkeiten oder mangelnden Erfahrungen und Kenntnissen benutzt werden, sofern sie nicht von einer Person, die für ihre Sicherheit verantwortlich ist, entsprechend beaufsichtigt oder angeleitet werden.
- Die Benutzer des Gerätes müssen für den Betrieb ordnungsgemäß gemäß dieser Bedienungsanleitung geschult worden sein, sie müssen die Benutzerwartung ausführen können und in der Lage sein, das richtige Zubehör auszuwählen.
- Benutzer müssen körperlich dazu in der Lage sein, die Maschinen zu steuern, zu transportieren und zu bedienen.
- Benutzer müssen dazu in der Lage sein, ungewöhnliches Maschinenverhalten festzustellen und Probleme zu melden.
- Halten Sie während des Betriebs Kinder und Unbefugte vom Gerät fern.
- Halten Sie die Reinigungslauge stets von Kindern und Haustieren fern.
- **HINWEIS** - Diese Maschine ist nur für die Verwendung in trockenen Innenräumen vorgesehen und darf nicht im Freien bei feuchtem Wetter verwendet oder gelagert werden.
- Reinigen Sie das Gerät **NICHT** mithilfe von Wassersprühern oder -strahlen.
- Halten Sie Haare, lockere Kleidung, Finger, Füße und alle anderen Körperteile von den Öffnungen und beweglichen Teilen fern.
- Halten Sie die Maschine sauber und in einem ordnungsgemäßen Betriebszustand.
- Lassen Sie die Maschine die Arbeit machen. Halten Sie den Griff so leicht wie möglich fest.
- Stellen Sie sich mit leicht gespreizten Beinen hin, um das Gleichgewicht zu bewahren. Drehen Sie den Körper nicht um mehr als 45 Grad.

- Tragen Sie geeignetes, rutschfestes Schuhwerk.
- Tragen Sie geeignete Kleidung, die trocken und warm hält.
- Nutzen Sie nach Möglichkeit Arbeitswechsel und angemessene Ruhepausen, damit nicht immer die gleichen Muskeln belastet werden.
- Während des Betriebs darf **NICHT** geraucht werden.

### 1.3 Transport der Maschine

#### **HINWEIS** - DIESE MASCHINE IST SCHWER

Versuchen Sie nicht, die Maschine allein anzuheben. Eine falsche Hebeteknik kann zu Verletzungen führen. Befolgen Sie die Anweisungen zur manuellen Handhabung von Lasten. Angaben zum Gewicht der Maschine finden Sie in der Übersicht der technischen Daten. Die Maschine kann mit den an der Rückseite angebrachten Transporträdern an den zu reinigenden Ort gebracht werden. Stellen Sie für den Transport der Maschine sicher, dass alle Bauteile, Tanks und losen Teile sicher befestigt sind. Seien Sie besonders vorsichtig, wenn Sie die Maschine Stufen und Treppen hoch- oder herunter transportieren. Heben Sie die Maschine nicht am Griff oder an der äußeren Abdeckung an, sondern immer am Rahmen. Um die Maschine zum Arbeitsbereich zu transportieren, arretieren Sie den Griff, kippen Sie sie nach hinten, um den Vorderteil vom Boden abzuheben und rollen Sie sie zur gewünschten Position. **HINWEIS** – Erschütterungen durch Schwellen, Umrandungen oder ähnliche Hindernisse können die Maschine beschädigen. Kleine Hindernisse können überwunden werden, indem die Maschine rückwärts gezogen wird.

## 2. Betriebsvorbereitung

### 2.1 Anschluss an die Stromversorgung

Überprüfen Sie, ob die Netzspannung dem Nennwert auf der Maschine entspricht, bevor Sie die Maschine an das Stromnetz anschließen.

#### **Nur für Großbritannien**

Das Stromkabel für Modelle, die mit 230 V betrieben werden, ist mit einem Stecker ausgestattet, der eine 13-Ampere-Sicherung enthält. Wenn die Sicherung ausgewechselt werden muss, darf sie nur durch eine 13-Ampere-Sicherung ersetzt werden, die BS1362 entspricht. Die Sicherungsabdeckung muss wieder angebracht werden. Wenn die Sicherungsabdeckung verloren gegangen ist, darf der Stecker erst dann verwendet werden, wenn eine ordnungsgemäße Ersatzabdeckung angebracht wurde.

Sollte ein Verlängerungskabel verwendet werden, muss die Leistung des Kabels für das Gerät ausreichend sein. Verwenden Sie das Verlängerungskabel nicht im aufgewickelten Zustand, da es sonst überhitzen kann. Das Stromkabel zusammen mit eventuell verwendeten Verlängerungskabeln sollte insgesamt nicht länger als 30 m sein. Der Querschnitt der Verlängerungskabel darf 2,5 mm<sup>2</sup> nicht unterschreiten.

**ACHTUNG** – DIESES GERÄT MUSS GEERDET WERDEN.

### 2.2 Montage der Reinigungsscheiben

**ACHTUNG** - Verwenden Sie für dieses Gerät nur hochwertige Polierscheiben. Die Montage ungeeigneter Scheiben kann die Leistung und die Sicherheit des Gerätes

beeinträchtigen. **ACHTUNG** - Vor dem Montieren oder Austauschen von Zubehörteilen muss die Maschine ausgeschaltet werden.

- Montieren Sie entsprechend den Vorgaben des Scheibenherstellers passende Polierscheiben für die Drehzahl der Maschine und die zu polierende Fläche.
- Vor der Montage oder dem Entfernen der Scheiben muss die Maschine mit dem Schlüsselschalter (10) ausgeschaltet und der Schlüssel muss abgezogen werden.

**HINWEIS** – Wenn eine Sprühflasche montiert wurde (5), senken Sie den Griff vorsichtig ab, um die Flasche nicht zu beschädigen.

- Ziehen Sie den Schlüssel ab. Klappen Sie den Griff ein und kippen Sie die Maschine vorsichtig auf die hintere Laufrolle.
- Entfernen Sie die Scheibenhalterung, indem Sie das Gewinde gegen den Uhrzeigersinn drehen.
- Drücken Sie die Reinigungsscheibe mittig auf den Treibteller. Sichern Sie die Scheibe mit der Scheibenhalterung.
- Stellen Sie die Maschine wieder aufrecht.

**WICHTIG** - Der Reinigungskopf darf nie auf einer Bürste oder einem Treibteller und der Reinigungsscheibe stehen, wenn die Maschine nicht verwendet wird.

## 3. Bedienelemente

Die Bedienelemente befinden sich am Griff (5). Beachten Sie die Abbildungen auf Seite 1.

## 4. Betrieb

### 4.1 Einschalten der Maschine

**ACHTUNG** - Schalten Sie die Maschine nie ein, wenn keine Polierscheibe montiert ist.

- Die Maschine darf nicht länger am gleichen Ort rotieren, da dies zum Überhitzen und zu Schäden an der Bodenoberfläche führen kann.
- Drehen Sie den Schlüsselschalter (10) in die Position EIN.
- Nachdem Sie den Griff (5) auf eine bequeme Arbeitshöhe gestellt haben, fassen Sie den Griff mit beiden Händen, drücken Sie beide Sicherheitstasten (1) mit den Daumen nach unten und ziehen Sie an den beiden Starthebeln (2), um die Maschine einzuschalten.
- Lassen Sie die Sicherheitstasten (1) los, wenn das Gerät eingeschaltet hat. Für den Betrieb der Maschine müssen einer oder beide Starthebel gehalten werden (2).
- Um das Gerät auszuschalten, lassen Sie die beiden Starthebel (2) los.
- Während des Betriebes wird die Maschine normalerweise nach vorn und zurück bewegt.

### 4.2 Orbis-Sprühsystem

- Betätigen Sie den Pumpkolben an der Oberseite der Flasche 10-15 Mal, um Sprühdruk aufzubauen.
- Ziehen Sie den Zubehörhebel am Griff, um die Sprühlösung auf den Boden aufzutragen.

### 4.3 Nach der Reinigung

- Schalten Sie die Maschine AUS, heben Sie den Reinigungskopf an und nehmen Sie das Pad ab.
- Prüfen Sie die Batteriestandsanzeige und laden Sie die Batterie bei Bedarf auf.

#### 4.4 Laden der Batterien

**ACHTUNG** - Laden Sie die Batterie erst auf, wenn die Batteriestandsanzeige (12) im roten Bereich steht (zwei verbleibende Lämpchen). Durch Zwischen- und Nachladen werden die Batterien geschädigt. Dadurch sinkt ihre Laufzeit und ihre allgemeine Lebensdauer wird beeinträchtigt. **NACHLADEN VERMEIDEN.** Laden Sie die Batterie nur in gut belüfteten Bereichen.

- Wenn an der Batteriestandsanzeige 1 ROTE LED leuchtet, schaltet die interne Steuerung die Maschine ab.
- Nehmen Sie das mit der Maschine gelieferte Ladekabel und stecken Sie es in die Steckdose. Die Stromversorgung muss den Angaben auf dem Typenschild entsprechen.
- Das vollständige Laden der Batterien dauert etwa 8 Stunden.

Die Batterieanzeige-Leuchten (12) zeigen Folgendes an:

Zu Beginn des Ladens:

- Die rote LED leuchtet während der ersten Ladephase auf.
- Die gelbe LED leuchtet während der anfänglichen Grundladung auf.
- Wenn die grüne LED blinkt, ist die Batterie zu etwa 80 % geladen.
- Die GRÜNE LED zeigt an, wenn das Ladegerät auf Erhaltungsladung umgestellt hat und die Batterie einsatzbereit ist.
- Das Ladegerät ist nur für Gelbatterien vorgesehen.
- Betreiben Sie das Gerät nicht, wenn es ans Stromnetz angeschlossen ist.

#### 5. Aufbewahrung

- Ziehen Sie nach Gebrauch immer den Stecker aus der Steckdose, wischen Sie das Gerät ab und lassen Sie es trocknen.
- Die Maschine sollte in der Regel mit dem Griff in aufrechter Position aufbewahrt werden.
- Bewahren Sie die Maschine nie mit angebrachter Reinigungsscheibe oder Bürste auf, da dies zu Verformungen führen kann, wodurch die Maschine im Betrieb destabilisiert wird.
- Bewahren Sie die Maschine nur in trockenen Räumen auf.

#### 6. Wartung

**ACHTUNG** - Die Maschine muss vor der Wartung und Justierung ausgeschaltet werden und ihr Stecker muss von der Stromversorgung getrennt werden. Zusätzlich muss der nicht geerdete Pol der Batterie sicher getrennt werden (oder mit einer gleichwertigen Methode). **WICHTIG** – Alle weiteren Instandhaltungs- und Reparaturmaßnahmen sollten nur von einem Truvox-Kundendienstmitarbeiter oder einem autorisierten Wartungstechniker durchgeführt werden. **WICHTIG** – Sollte an der Maschine eine Funktionsstörung auftreten, folgen Sie den Angaben im Abschnitt Fehlerbehebung im hinteren Teil dieser Bedienungsanleitung. Sollte das Problem/die richtige Lösung dort nicht aufgeführt sein, wenden Sie sich zur schnellen Problembeseitigung an den Kundendienst von Truvox.

Der Umfang der Wartungsarbeiten für die Maschine ist minimal. Der Benutzer muss vor dem Betrieb die folgenden Prüfungen durchführen:

- Ladekabel und Stecker (11) - Überprüfen Sie regelmäßig den Mantel, den Stecker und den Kabelanschluss auf Beschädigungen und Wackelkontakte.

- Maschinengehäuse - Reinigen Sie das Gehäuse mit einem feuchten Tuch.
- Überlastschalter des Motors - Alle Maschinen sind mit einem automatischen Überlastschalter für den Motor ausgestattet. Der Schalter schützt den Motor vor Überlastung, indem er die Maschine ausschaltet, wenn der Reinigungskopf auf dem Boden auf zu große Reibung/zu großen Widerstand trifft. Dies wird meist durch eine klebrige Reinigungsscheibe oder durch klebrigen Fußboden verursacht. Drehen Sie die Reinigungsscheibe um oder ersetzen Sie sie, wenn beide Seiten verschmutzt sind, durch eine saubere Reinigungsscheibe. Mit einer verschmutzten Reinigungsscheibe können keine guten Reinigungsergebnisse erzielt werden. Der Überlastschalter schaltet sich automatisch nach 15-30 Minuten wieder aus, wenn sich der Motor ausreichend abgekühlt hat.

#### 7. Kundendienst

Die Maschinen von Truvox sind qualitativ hochwertige Maschinen, die von autorisierten Technikern auf ihre Sicherheit geprüft wurden. Es ist offensichtlich, dass die elektrischen und mechanischen Bauteile nach langen Arbeitseinsätzen Abnutzungs- und Alterungserscheinungen aufweisen. Damit die Betriebssicherheit und die Verlässlichkeit immer gegeben ist, wurde folgendes Wartungsintervall festgelegt: Jährlich oder nach 250 Betriebsstunden. Unter extremen oder besonderen Bedingungen oder bei unzulänglicher Wartung sind kürzere Wartungsintervalle notwendig. Verwenden Sie nur Originalersatzteile von Truvox. Bei der Verwendung anderer Ersatzteile verfallen alle Gewährleistungs- und Haftungsansprüche. Wenn Sie den Kundendienst in Anspruch nehmen möchten, wenden Sie sich an den Fachhändler, bei dem Sie die Maschine erworben haben. Reparatur- und Wartungsarbeiten an Truvox-Produkten dürfen nur durch ausgebildetes Personal erfolgen. Unsachgemäße Reparaturarbeiten können beträchtliche Gefahren für die Benutzer mit sich bringen.

#### 8. Garantie

Ihr Produkt verfügt über eine einjährige Garantie auf Material- und Herstellungsfehler ab dem Datum des ursprünglichen Kaufs oder Ratenkaufs. Innerhalb des Garantiezeitraums reparieren oder ersetzen wir nach eigenem Ermessen und für den Käufer kostenlos alle fehlerhaften Teile gemäß folgenden Bedingungen:

##### GARANTIEBEDINGUNGEN

1. Ansprüche gemäß diesen Garantiebedingungen müssen mit der Originalrechnung/dem Originalkaufbeleg, der zum Zeitpunkt des Verkaufs ausgegeben wurde, oder der Seriennummer der Maschine belegt werden.
2. Wenden Sie sich bei Garantieansprüchen an den Fachhändler, bei dem Sie die Maschine erworben haben, der dann die entsprechenden Schritte einleiten wird. Geben Sie das Produkt nicht sofort zurück, da dies zu Transportschäden führen kann.
3. Truvox und seine Händler haften nicht für beiläufig entstandene und Folgeschäden.
4. Diese Garantie unterliegt englischem Recht.
5. Diese Garantie gilt nicht für Folgendes:
  - Regelmäßige Wartung, Reparatur oder Ersatz von Teilen durch normalen Verschleiß.
  - Schäden durch Unfälle, falsche Verwendung, Vernachlässigung oder durch die Montage von Bauteilen, die keine Truvox-Originalbauteile sind.

- Schäden an Bauteilen, die keine Truvox-Originalbauteile sind, oder Reparaturen, Änderungen oder Anpassungen, die nicht von einem Truvox-Kundendienstmitarbeiter oder einem autorisierten Wartungstechniker durchgeführt wurden.
- Transportkosten und -risiken, die direkt oder indirekt mit der Garantie dieses Produktes zusammenhängen.
- Verbrauchsgüter wie Bürsten, Treibteller, Filter und Ansaugringe.
- Diese Garantie beeinflusst weder ihre gesetzlich festgelegten Rechte noch die aus dem Kaufvertrag entstehenden Rechte gegenüber ihrem Händler. Truvox International Limited hat sich der ununterbrochenen Weiterentwicklung seiner Produkte verschrieben, wir behalten uns daher das Recht vor, die technischen Angaben ohne vorherige Ankündigung zu Ändern.

## 9. Zubehör

Artikel	Bauteilnr.	Einsatz
Ersatzbatterien 12 V 44 Ah (2 erforderlich)	04-3833-0000	Ersatzbatterien
Sprühsystem-Set inkl. Befestigungsteil & Leitungen	05-4156-000	Sprühreinigungsaufsatz

## 10. Fehlerbehebung

Die folgenden einfachen Kontrollen können vom Benutzer durchgeführt werden:

Problem	Grund	Abhilfe
<b>Lämpchen am Lademodul leuchten nicht</b>	<ul style="list-style-type: none"> <li>• Ausfall der Stromversorgung</li> </ul>	<ul style="list-style-type: none"> <li>• Prüfen Sie die Netzsicherung, das Stromkabel und den Stecker</li> </ul>
<b>Gelbe LED blinkt</b>	<ul style="list-style-type: none"> <li>• Ungeeignete Batterie</li> <li>• Batterie nicht angeschlossen</li> </ul>	<ul style="list-style-type: none"> <li>• Wenden Sie sich an einen Kundendienstmitarbeiter</li> <li>• Schließen Sie die Batterie an</li> </ul>
<b>Am Lademodul leuchtet nur die rote LED</b>	<ul style="list-style-type: none"> <li>• Ladegerät nicht korrekt angeschlossen</li> <li>• Batterie defekt</li> <li>• Maximale Ladezeit überschritten</li> </ul>	<ul style="list-style-type: none"> <li>• Wenden Sie sich an einen Kundendienstmitarbeiter</li> </ul>
<b>Maschine funktioniert nicht</b>	<ul style="list-style-type: none"> <li>• Die Sicherungstaste wurde falsch bedient</li> <li>• Überlast-Sicherung durchgebrannt*</li> </ul>	<ul style="list-style-type: none"> <li>• Halten Sie die in der Bedienungsanleitung beschriebene Vorgehensweise ein.</li> <li>• Wenden Sie sich an einen Kundendienstmitarbeiter</li> </ul>
<b>Maschine schleudert oder vibriert zu stark</b>	<ul style="list-style-type: none"> <li>• Abgenutzte oder beschädigte Reinigungsscheibe</li> <li>• Scheibe nicht mittig auf dem Treibteller angebracht</li> <li>• Reinigungsscheibe verschmutzt</li> <li>• Falsch ausgewählte Scheibe</li> </ul>	<ul style="list-style-type: none"> <li>• Ersetzen Sie die Reinigungsscheibe</li> <li>• Bringen Sie die Scheibe in der richtigen Position an.</li> <li>• Säubern Sie die Reinigungsscheibe.</li> <li>• Wenden Sie sich an den Händler</li> </ul>

\* Wenn die Sicherung mehrmals durchbrennt, muss die Maschine von einem autorisierten Wartungstechniker überprüft werden.

**AVERTISSEMENT – LISEZ ATTENTIVEMENT CETTE NOTICE AVANT D'UTILISER LA MACHINE ET CONSERVEZ-LA POUR VOUS Y RÉFÉRER ULTÉRIEUREMENT**

**BRUNISSOIR SANS FIL ORBIS**

Le manuel suivant contient des informations importantes sur les machines et des avis de sécurité pour l'opérateur.



**AVERTISSEMENT**



**Symbole de mise à la terre**



**Appareils électriques et électroniques usagés**

Cet appareil ne doit pas être mis au rebut avec des déchets non triés. Une mise au rebut inadéquate peut être nocive pour l'environnement et l'homme. Veuillez vous adresser au service public chargé de la gestion des déchets pour de plus amples informations sur les systèmes locaux de mise au rebut et de collecte des déchets.

**DÉCLARATION DE CONFORMITÉ CE**

**Type de machine :** Brunissoir rotatif pour sol

**Type :** Brunissoir sans fil Orbis      **Modèle :**  
OCB451500...

Cette machine est conforme aux directives de l'Union européenne suivantes :

2006/42/EC      **Directive sur les machines**

2004/108/EC      **Directive CME**

**Normes harmonisées appliquées**      EN60335-1, EN60335-2-67,  
EN60335-2-29, EN55014-1,  
EN55014-2, EN610003-2,  
EN610003-3, EN62233

**Truvox International**  
Third Avenue, Millbrook  
SO15 0LE, Southampton  
Hampshire, Angleterre

**CE** *M. Eneas*

Malcolm Eneas  
Directeur d'exploitation  
Southampton, 29-12-2009

**SPÉCIFICATIONS TECHNIQUES**

Modèle		Brunissoir sans fil Orbis UHS
Code produit		OCB451500
Tension de charge CA (~)/Fréquence	V/ Hz	100-230/ 50-60
Tension de la batterie CC	V	24
Informations sur la batterie		2 x 12 V 44 AH (C5)
Puissance moteur	W	480
Temps de traitement	h	2
Temps de charge	h	8
Taux de productivité	m <sup>2</sup> /h	860
Diamètre du coussin	cm	43
Vitesse du tampon	tr/min	1500
Pression sur le coussin	g/cm <sup>2</sup>	3
Niveau de pression sonore	dB(A)	56,6
Vibrations du manche	m/s <sup>2</sup>	< 2,5
Dimensions avec le manche (L x l x H)		70 x 45 x 86
Dimensions sans le manche (L x l x H)		70 x 45 x 50
Poids avec batteries	kg	62,5
Poids sans batteries	kg	22,5
Garantie		1 an

- Les niveaux sonores sont mesurés à une distance de 0,25 mètre par rapport à la machine et de 1,5 mètres au-dessus du sol pendant le brunissage d'un revêtement dur. Les mesures sont enregistrées par un appareil portatif.
- La vibration du manche ne dépasse pas 2,5 m/s<sup>2</sup>, lors de l'utilisation de tampons, quelle que soit la surface. Les mesures sont enregistrées par un laboratoire d'essai indépendant.

**Pour toute demande de renseignement, veuillez vous adresser au fournisseur auprès duquel vous avez acheté votre machine ou à Truvox International.**

**Truvox International Limited**

Third Avenue, Millbrook, Southampton, Hampshire, SO15 0LE, Royaume-Uni ; Tél. : +44 (0) 23 8070 6600 ; Fax : +44 (0) 23 8070 5001; Email : sales@truvox.com ; Web : www.truvox.com



**Veillez vous reporter aux illustrations de la machine à la page 1**

- |   |   |
|---|---|
| <p><b>1 Bouton de verrouillage, gauche ou droit</b><br/>Utilisé pour ALLUMER et ÉTEINDRE le moteur. Fonctionne uniquement avec le manche en position de travail, et si le bouton de verrouillage à gauche a été auparavant enfoncé.</p> <p><b>2 Déclencheur, gauche ou droit</b><br/>Utilisé pour ALLUMER et ÉTEINDRE le moteur. Fonctionne uniquement avec le manche en position de travail, et si le bouton de verrouillage à gauche a été auparavant enfoncé.</p> <p><b>3 Levier de réglage du manche</b><br/>Pour ajuster le manche à une hauteur confortable pour travailler. Remarque : pour des raisons de sécurité, ne fonctionne pas si le manche n'est pas à la hauteur de travail.</p> | <p><b>4 Levier d'alimentation de la solution</b><br/>Actionne le robinet de débit du pulvérisateur (si installé).<br/>- Tirez du levier pour verser la solution.<br/>- Relâchez le levier pour arrêter le débit.</p> <p><b>5 Manche</b></p> <p><b>6 Capot de la batterie</b></p> <p><b>7 Capot du moteur</b></p> <p><b>8 Protège-brosse</b></p> <p><b>9 Indicateur d'autonomie de la batterie</b> Indique l'autonomie restante de la batterie.</p> <p><b>10 Interrupteur à clé</b><br/>Permet de mettre la batterie en marche et de l'arrêter.</p> <p><b>11 Câble du chargeur de batterie</b><br/>Branche la machine à l'alimentation électrique pour charger la batterie.</p> <p><b>12 Indicateurs de charge de la batterie</b><br/>Indiquent l'état de charge de la batterie.</p> |
|---|---|

### 1. Informations sur le produit

Les machines de nettoyage des sols commerciaux sont conçues pour le polissage à haute vitesse et le brunissage des sols durs en intérieur. Un système de contrôle passif de la poussière est livré avec chaque modèle. Le brunissoir sans fil sur batterie à usage commercial est une innovation pionnière pour le nettoyage quotidien. Son fonctionnement silencieux et son design compact le rendent idéal dans divers environnements. Vous devez utiliser des batteries sans entretien (à gel) pour assurer une durée d'utilisation jusqu'à 2 heures. Un indicateur de durée de vie de la batterie permet à l'opérateur d'évaluer la durée de batterie disponible. Le chargeur de batterie intégré facilite le chargement. La machine peut être équipée d'un système de vaporisation de solution nettoyante en option, monté sur le manche, qui peut être actionné tout en tenant la machine à deux mains pour garantir le contrôle parfait de la machine. Cette machine est prévue pour une utilisation commerciale, par exemple dans des hôtels, des écoles, des hôpitaux, des usines, des boutiques, des bureaux, des entreprises de location ainsi que pour les utilisations plus intensives qu'un ménage classique.

La notice suivante contient des informations importantes sur les machines et des avis de sécurité pour l'opérateur. Cette notice est valable pour les modèles suivants :

**Brunissoir sans fil Orbis - OCB451500...**

L'équipement doit être utilisé et entretenu conformément aux instructions du fabricant. En cas de doute, contactez votre fournisseur.

#### 1.1 Avis important de sécurité



L'usage de cette machine nécessite l'application de mesures de sécurité essentielles :

- Cette machine doit uniquement être utilisée pour l'application approuvée par le fabricant et décrite dans ce manuel.
- Veuillez noter que les informations de sécurité décrites dans ce manuel complètent, mais ne remplacent pas, les normes applicables dans le pays où la machine est utilisée.
- **AVERTISSEMENT** - utilisez uniquement les accessoires et pièces détachés fournis avec la machine ou ceux approuvés par le fabricant. L'utilisation de pièces détachées ou d'accessoires autres peut altérer la sécurité de la machine.
- **ATTENTION** - Cette machine est réservée à une utilisation en intérieur dans un environnement sec et ne peut être utilisée ou stockée en extérieur dans des conditions humides.
- Toutes les pièces doivent être positionnées conformément aux instructions avant utilisation de la machine.
- La machine doit être déballée et montée conformément à ces instructions avant d'être branchée sur une prise électrique.
- **N'UTILISEZ PAS** la machine en présence de poussières dangereuses.
- **N'UTILISEZ PAS** la machine dans une atmosphère explosive.
- **N'UTILISEZ PAS** la machine à proximité de liquides, de poussières ou de vapeurs inflammables.
- Ne pas utiliser pour l'aspiration d'humidité ou de liquides.
- **N'UTILISEZ PAS** la machine pour nettoyer un matériau incandescent ou allumé, tel que des cigarettes, des allumettes, des cendres ou d'autres objets combustibles.
- Veillez à ce que la machine ne bascule pas si vous l'utilisez à proximité d'escaliers.
- Utilisez la machine sur des surfaces planes et stables uniquement. **N'UTILISEZ PAS** la machine sur une pente dont l'inclinaison est supérieure à 2 %.
- **N'UTILISEZ PAS** la machine sur des surfaces rugueuses irrégulières telles que des sols en béton industriel.
- **N'UTILISEZ PAS** la machine sur des surfaces en béton à gros granulats.
- **N'UTILISEZ PAS** la machine en extérieur, par exemple dans une cour, sur un pont ou des surfaces irrégulières.
- **N'UTILISEZ PAS** la machine sur des surfaces mouillées.
- **AVERTISSEMENT** - Ne remplissez pas la machine avec de l'eau à plus de 50° C.
- **N'UTILISEZ PAS** de diesel/d'essence ou de détergents corrosifs pour nettoyer les sols.
- Ne lavez ou n'aspirez pas de liquides corrosifs, inflammables et/ou explosifs, même s'ils sont dilués.
- **N'INSEREZ AUCUN** objet dans les ouvertures.
- **N'UTILISEZ PAS** la machine si l'une des ouvertures est obstruée. Maintenez-la à l'abri de la poussière, de débris et tout autre élément pouvant freiner le débit d'air.
- **NE COUVREZ PAS** la machine lorsqu'elle est en cours d'utilisation.
- **N'UTILISEZ PAS** la machine lorsqu'elle est branchée sur le secteur.

- **NE LAISSEZ PAS** la clé dans l'interrupteur. Lorsque la machine n'est pas utilisée, retirez toujours la clé.
- La clé de l'interrupteur doit être enlevée de la prise avant de nettoyer la machine ou d'entreprendre des opérations d'entretien.
- **NE LAISSEZ PAS** la machine branchée sur une alimentation électrique lorsque vous ne l'utilisez pas. Débranchez toujours la fiche de la prise de courant.
- **NE LAISSEZ PAS** la machine en marche sans surveillance.
- Cette machine doit toujours être connectée à une alimentation de tension et de fréquence adaptées avec mise à la terre.
- La machine doit être débranchée de sa source d'alimentation au cours des opérations de nettoyage ou de maintenance, ainsi que lors du remplacement de pièces et d'accessoires.
- **N'UTILISEZ PAS** la machine si elle est détériorée, si vous l'avez laissée à l'extérieur ou si elle a trempé dans de l'eau.
- **NE MANIPULEZ PAS** les interrupteurs ou la prise d'alimentation avec les mains mouillées sous peine de vous exposer à un risque de choc électrique.
- **AVERTISSEMENT** - Tenez le fil électrique à l'écart de toutes pièces en mouvement (et/ou des brosses en rotation). Lorsque la machine est en fonction, il est dangereux de la faire passer sur le câble d'alimentation.
- **NE FAITES PAS** fonctionner la machine avec un fil ou une prise en mauvais état, si elle présente un dysfonctionnement ou qu'elle est endommagée. Contactez un agent autorisé pour réparer ou régler la machine.
- **N'UTILISEZ PAS** le fil électrique pour débrancher la prise ou porter la machine. **N'UTILISEZ PAS** le fil comme poignée, ne le laissez pas coincé dans une porte et ne l'enroulez pas autour d'angles ou de rebords tranchants.
- La fiche doit être enlevée de la prise avant de nettoyer la machine ou d'entreprendre des opérations d'entretien.
- Le câble d'alimentation ne doit pas être tordu ni pincé, et tenu à l'écart de surfaces chaudes.
- Tirez sur la fiche et non sur le câble d'alimentation pour débrancher l'appareil du secteur.
- Utilisez uniquement le chargeur fourni pour le chargement.
- **N'UTILISEZ PAS** de chargeur endommagé.
- Lorsqu'il n'est pas utilisé, le chargeur doit être débranché de la prise secteur.
- La fiche du chargeur doit être enlevée de la prise avant de nettoyer la machine ou d'entreprendre des opérations d'entretien.
- Ne chargez pas la machine avec un fil ou une prise en mauvais état, si elle présente un dysfonctionnement ou qu'elle est endommagée. Contactez un agent autorisé pour réparer ou régler la machine.
- Le cordon de chargement de la batterie doit être régulièrement contrôlé pour détecter tout dommage. Si le cordon est endommagé, il doit être remplacé par le fabricant, un agent agréé ou une personne qualifiée afin d'éviter tout risque.
- Lorsque la batterie est en charge, vérifiez que la zone est suffisamment ventilée.
- N'inhalez pas les vapeurs, qui sont dangereuses.
- Il est interdit de fumer et/ou d'utiliser des flammes nues à moins de 2 mètres de la batterie quand celle-ci est en charge, dans la zone de charge et pendant le refroidissement de la batterie chargée.
- Signalez toute fuite de liquide de batterie. Les fuites sont dangereuses et hautement polluantes.
- **AVERTISSEMENT** - En cas d'incendie, utilisez uniquement des extincteurs à poudre approuvés. N'utilisez pas d'eau pour éteindre le feu.

### **1.2 Consignes à l'usage de l'opérateur**

- Cette machine n'est pas destinée à une utilisation par des enfants, des personnes atteintes d'un handicap physique, sensoriel ou mental, ou encore manquant d'expérience ou de connaissances, sauf si elles sont supervisées ou ont reçu des instructions sur l'utilisation de la machine par une personne qui se porte garante de leur sécurité.
- Les opérateurs doivent être bien formés à l'utilisation de la machine conformément à la présente notice, être capables d'entreprendre les opérations d'entretien et de choisir les accessoires adéquats.
- Les opérateurs doivent être physiquement capables de manœuvrer, de transporter et de faire fonctionner les machines.
- Les opérateurs doivent être capables de reconnaître un dysfonctionnement de la machine et de signaler tout problème.
- Maintenez les enfants et les personnes non autorisées loin de la machine lorsque vous l'utilisez.
- Les solutions de nettoyage ne doivent jamais être à portée des enfants et des animaux.
- **ATTENTION** - Cette machine est réservée à une utilisation en intérieur dans un environnement sec et ne peut être utilisée ou stockée en extérieur dans des conditions humides.
- **NE NETTOYEZ PAS** la machine à l'aide de vaporisateurs ou de jets.
- Les cheveux, les vêtements amples, les mains, les pieds et autres parties du corps doivent être maintenus à l'écart des ouvertures et des pièces en mouvement.
- Maintenez la machine propre et en bon état de marche.
- Laissez la machine travailler, sans forcer. Tenez le manche aussi légèrement que possible.
- Restez debout les pieds légèrement écartés pour garder l'équilibre. Évitez de vous tourner plus de 45 degrés.
- Portez des chaussures appropriées pour éviter de glisser.
- Portez des vêtements appropriés pour rester sec et éviter de vous refroidir.
- Quand cela est possible, instaurez un roulement des postes et prévoyez des périodes de repos pour ne pas toujours solliciter les mêmes muscles.
- **NE FUMEZ PAS** lors de l'utilisation de la machine.

### **1.3 Transport de la machine**

#### **ATTENTION - CETTE MACHINE EST LOURDE**

N'essayez pas de lever la machine sans aide. Une méthode de levage incorrecte peut provoquer des blessures corporelles. Il est conseillé de respecter les réglementations relatives à la manutention. Veuillez vous reporter au tableau technique pour de plus amples informations sur le poids de la machine. La machine peut être déplacée dans l'aire à nettoyer en la faisant rouler sur ses roues arrière de

### **Avertissements généraux relatifs aux batteries**

- **AVERTISSEMENT** - Utilisez un équipement de protection individuelle adapté pour éviter le contact avec la peau (reportez-vous aux normes en vigueur dans le pays où la machine est utilisée).

transport. Lors du transport de la machine, vérifiez que tous ses composants, réservoirs et pièces amovibles sont bien fixés. Redoublez de vigilance pour déplacer la machine dans des escaliers. Ne vous servez pas du manche ou du capot extérieur pour soulever la machine, qui doit toujours être portée via le châssis. Pour déplacer la machine vers la zone de travail, verrouillez le manche et inclinez la machine vers l'arrière pour soulever l'avant du sol et faites rouler la machine pour l'installer. **ATTENTION** – le fait de trébucher sur un seuil, un trottoir ou un obstacle peut endommager la machine. Pour surmonter les petits obstacles, tirez la machine en arrière.

## **2. Préparation à l'emploi**

### **2.1 Branchement électrique**

Avant de brancher la machine au courant électrique, vérifiez que la tension correspond à celle indiquée sur la plaque signalétique apposée sur la machine.

#### **Uniquement pour GB**

Le câble d'alimentation des modèles 230 V est équipé d'une fiche avec un fusible de 13 amp. Si le fusible doit être remplacé, utilisez uniquement un fusible de 13 amp. conforme à BS1362, et remettez en place le couvercle du fusible. Si vous perdez le couvercle du fusible, n'utilisez pas la prise avant d'avoir remis en place un couvercle de rechange.

Si vous utilisez une rallonge, vérifiez que ses caractéristiques nominales sont adaptées à l'équipement. N'utilisez pas la rallonge sans la dérouler pour éviter toute surchauffe. La longueur totale du câble d'alimentation et d'éventuelles rallonges ne doit pas excéder 30 m. Le diamètre de toute rallonge de câble électrique doit être au moins de 2,5 mm<sup>2</sup>.

**AVERTISSEMENT** – CET APPAREIL DOIT IMPÉRATIVEMENT ÊTRE MIS À LA TERRE.

### **2.2 Installation des tampons**

**AVERTISSEMENT** - Cet appareil est conçu pour une utilisation avec des tampons de brunissage uniquement. La pose de tampons inadaptés peut affecter les résultats et la sécurité. **AVERTISSEMENT** - Vérifiez que la machine est éteinte avant d'ajouter ou de remplacer des accessoires.

- Installez des tampons adaptés à la vitesse de la machine et à la surface à polir, en suivant les recommandations du fabricant de tampons.
- Vérifiez toujours que la machine est éteinte via l'interrupteur à clé (10) et que la clé est retirée avant l'installation ou le retrait de tampons.

**ATTENTION** - Si le vaporisateur est installé, abaissez le manche (5) avec délicatesse pour éviter de le détériorer.

- Retirez la clé. Pliez le manche et inclinez délicatement la machine sur ses roulettes arrière.
- Retirez le dispositif de retenue du tampon en notant son filetage contraire aux aiguilles d'une montre.
- Appuyez le tampon de nettoyage au centre de la plaque d'entraînement. Fixez le tampon à l'aide d'un dispositif de retenue.
- Remettez la machine à la verticale.

**IMPORTANT** – Ne jamais laisser la brosse de nettoyage reposer sur la brosse ou le disque d'entraînement et le tampon lorsque la machine n'est pas utilisée.

## **3. Commandes**

Les commandes de fonctionnement sont placées sur le manche (5). Reportez-vous à la page 1.

## **4. Fonctionnement**

### **4.1 Démarrage de la machine**

**AVERTISSEMENT** – ne démarrez jamais la machine si aucun tampon n'est installé.

- Ne laissez pas la machine tourner sur un point, cela pourrait provoquer une surchauffe et détériorer la surface du sol.
- Tournez l'interrupteur à clé (10) en position ON.
- Réglez le manche (5) à une hauteur de travail commode et avec les deux mains dessus, enfoncez les deux boutons de verrouillage (1) avec les pouces et appuyez sur les deux déclencheurs (2) pour démarrer la machine (Fig.2).
- Relâchez les boutons de verrouillage (1) après le démarrage de la machine. La machine fonctionne dès lors que l'un des deux déclencheurs (2) est enfoncé
- Pour arrêter la machine relâchez les déclencheurs (2).
- En temps normal, la machine se déplace vers l'avant et l'arrière.

### **4.2 Système de vaporisation Orbis**

- Pompez le plongeur sur le dessus du pulvérisateur de 10 à 15 fois pour générer une pression.
- Tirez sur le déclencheur de l'accessoire sur le manche pour vaporiser la solution sur le sol.

### **4.3 Une fois le nettoyage terminé**

- Mettez la machine en position OFF, soulevez la tête de nettoyage et retirez le tampon.
- Vérifiez l'indicateur de batterie et rechargez cette dernière si nécessaire.

### **4.4 Chargement des batteries**

**AVERTISSEMENT** - rechargez la batterie uniquement lorsque l'indicateur d'autonomie de la batterie (12) est dans la zone rouge (deux lumières allumées). Un chargement incomplet détériore les batteries. Elles auront moins d'autonomie et leur durée de vie sera affectée. **ÉVITEZ LES CHARGEMENTS INCOMPLETS.** Le chargement doit uniquement être effectué dans une zone bien ventilée.

- Notez qu'une LED rouge allumée sur l'indicateur de la batterie entraîne la désactivation de la machine par le contrôleur interne.
- Branchez le câble de chargement de la batterie fourni sur une prise secteur, en vérifiant que l'alimentation est conforme aux indications de la plaque nominale de la machine.
- Le chargement complet des batteries nécessite environ 8 heures.

Les témoins de l'indicateur de charge (12) indiquent : initialement pendant le chargement

- la LED rouge s'allume pendant la première phase du chargement
- la LED jaune s'allume pendant la charge de masse initiale.

- Lorsque la LED verte clignote, la batterie est chargée à 80 % environ.
- La LED verte indique que le chargeur est passé en charge d'entretien et que la batterie peut être utilisée.
- Le chargeur est conçu pour des batteries à gel uniquement.
- N'utilisez pas la machine lorsqu'elle est branchée sur le secteur.

## **5. Stockage**

- Après utilisation, la machine doit être débranchée, nettoyée et séchée.
- La machine doit normalement être stockée avec le manche complètement à droite.
- Ne rangez jamais la machine si une brosse ou un coussin sont installés car cela provoque des distorsions, et donc certaine instabilité durant la marche.
- Gardez la machine dans un endroit sec.

## **6. Maintenance**

**AVERTISSEMENT** – Avant d'entreprendre des opérations d'entretien ou de réglage, éteignez la machine et débranchez-la du secteur. Pour plus de protection, débranchez le pôle de la batterie non mis à la terre (ou employez une méthode équivalente). **IMPORTANT** - Toutes les autres opérations de maintenance et les réparations doivent uniquement être entreprises par un ingénieur Truvox ou un agent d'entretien agréé. **IMPORTANT** - En cas de défaillance de la machine, veuillez vous reporter à la section diagnostic des pannes au dos de ce manuel d'instruction. Si le problème et sa solution ne sont pas répertoriés, veuillez contacter le service client Truvox qui répondra rapidement à vos questions.

La machine requiert un entretien minimum à l'exception des vérifications suivantes, qui doivent être entreprises par l'opérateur avant toute utilisation :

- Cordon et prise du chargeur (11) – vérifiez régulièrement que la gaine, la fiche et le raccord du fil ne sont pas endommagés ou dénudés.
- Corps de la machine – Nettoyez avec un chiffon humide.
- Dispositif de protection contre les surcharges du moteur - Toutes les machines sont équipées d'un disjoncteur à réinitialisation automatique en cas de surcharge du moteur. Le disjoncteur protège le moteur contre les surchauffes en coupant la machine en cas de friction/résistance excessive de la tête de nettoyage sur le sol. Cela est souvent provoqué par un coussin ou un sol poisseux. Retournez le coussin nettoyant ou, si les deux côtés sont sales, remplacez-le par un propre. Il est impossible d'obtenir une bonne finition du sol avec un coussin sale. Quand le disjoncteur se déclenche, il se réinitialise automatiquement une fois le moteur suffisamment refroidi, en général après 15 - 30 min.

## **7. Service après vente**

Les machines Truvox sont de haute qualité et leur sécurité a été testée par des techniciens agréés. Il est évident qu'après de longues périodes de travail, les composants électriques et mécaniques montrent des signes d'usure ou de vieillissement. Afin de préserver la sécurité et la fiabilité de la machine, l'intervalle suivant de service a été défini : Tous les ans ou au bout de 250 heures. Dans des conditions extrêmes ou spéciales et/ou d'entretien insuffisant, des intervalles d'entretien plus courts sont nécessaires. N'utilisez que des pièces de rechange originales Truvox. L'utilisation d'autres pièces de rechange annulerait toute garantie ainsi

que d'éventuels recours en garantie. Pour toute demande de service après-vente, veuillez vous adresser au fournisseur auprès duquel vous avez acheté votre machine, qui se chargera de l'organisation. Les réparations et le service des produits Truvox doivent uniquement être entrepris par un personnel qualifié. Des réparations incorrectes peuvent être dangereuses pour l'utilisateur.

## **8. Garantie**

Votre produit est garanti pendant un an à compter de la date d'achat, ou de location-bail, contre les défauts des matériaux ou de main-d'œuvre pendant sa fabrication. Durant la période de garantie, nous nous chargeons de réparer toute pièce défectueuse ou de la remplacer à nos frais, sous réserve des conditions suivantes.

### **CONDITIONS**

1. Les réclamations faites selon les termes de la garantie doivent être accompagnées de la facture /contrat de vente original(e), ou du numéro de série de la machine.
2. Pour toute réclamation en garantie, contactez le fournisseur auprès duquel vous avez acheté la machine, qui vous indiquera la procédure à suivre. Ne renvoyez pas le produit ; il risquerait d'être endommagé au cours du transport.
3. Ni Truvox ni ses distributeurs ne sont responsables de dommages accidentels ou résultant de l'utilisation de la machine.
4. La garantie est régie par les lois anglaises.
5. Cette garantie ne couvre pas :
  - l'entretien régulier et les réparations ou le remplacement de pièces usées ;
  - les dommages causés par un accident, une utilisation abusive ou une négligence, ou l'utilisation de pièces autres que les pièces Truvox d'origine ;
  - les défauts présentés par les pièces autres les pièces Truvox d'origine, ou les réparations, modifications ou réglages réalisés par une personne autre que l'ingénieur service de Truvox ou un agent de service autorisé ;
  - les coûts et risques de transport en rapport direct ou non avec la garantie de ce produit ;
  - les consommables tels que les brosses, disques d'entraînement, filtres et collerettes de mise sous vide.
  - Cette garantie n'affecte pas vos droits légaux, ni vos droits opposables au fournisseur découlant de la vente ou du contrat d'achat. Truvox International Limited s'impose une stratégie de développement continu de ses produits et se réserve le droit de modifier les spécifications des produits sans avis préalable.

## 9. Accessoires

Élément	N° de pièce	Usage
Batteries de rechange 12 V 44 Ah (2 obligatoires)	04-3833-0000	Batteries de rechange
Kit de vaporisation avec patte de montage et tubes	05-4156-000	Accessoire de vaporisation

## 10. Diagnostic de défaillance

Les vérifications suivantes sont simples et peuvent être réalisées par l'opérateur.

Panne	Origine	Solution
<b>Aucune lumière allumée sur le module du chargeur</b>	<ul style="list-style-type: none"><li>• Panne d'alimentation</li></ul>	<ul style="list-style-type: none"><li>• Vérifiez le fusible du secteur, le cordon d'alimentation et la prise</li></ul>
<b>LED jaune clignotante</b>	<ul style="list-style-type: none"><li>• Batterie inadaptée</li><li>• Batterie non branchée</li></ul>	<ul style="list-style-type: none"><li>• Contactez l'agent d'entretien</li><li>• Branchez la batterie</li></ul>
<b>Seule la LED rouge du module du chargeur est allumée</b>	<ul style="list-style-type: none"><li>• Le chargeur n'est pas branché correctement</li><li>• La batterie est défectueuse</li><li>• Durée de chargement écoulée</li></ul>	<ul style="list-style-type: none"><li>• Contactez l'agent d'entretien</li></ul>
<b>La machine ne fonctionne pas</b>	<ul style="list-style-type: none"><li>• Verrouillage incorrectement actionné</li><li>• Le fusible de surintensité a sauté*</li></ul>	<ul style="list-style-type: none"><li>• Vérifiez les procédures de fonctionnement.</li><li>• Contactez l'agent d'entretien</li></ul>
<b>La machine oscille ou vibre beaucoup.</b>	<ul style="list-style-type: none"><li>• Tampon usé ou endommagé.</li><li>• Le tampon n'est pas centré sur le disque d'entraînement</li><li>• Le tampon est sale</li><li>• Mauvais choix du tampon</li></ul>	<ul style="list-style-type: none"><li>• Remplacez le tampon</li><li>• Placez correctement le tampon</li><li>• Nettoyez le tampon.</li><li>• Contactez le fournisseur du tampon</li></ul>

\* Si les fusibles sautent plusieurs fois, la machine doit être vérifiée par un agent autorisé.

**ADVERTENCIA - LEA ESTAS INSTRUCCIONES ANTES DE UTILIZAR LA MÁQUINA Y GUÁRDELAS COMO REFERENCIA PARA EL FUTURO**

**PULIDORA INALÁMBRICA ORBIS**

El siguiente manual contiene información importante sobre la máquina y consejos de seguridad para el operario.



**ADVERTENCIA**



**Símbolo de conexión a tierra**



**Residuos de aparatos eléctricos y electrónicos (RAEES)**

No deseches este aparato con residuos sin clasificar. La eliminación incorrecta puede ser nociva para el medio ambiente y para la salud humana. Para más información sobre los sistemas de recogida y devolución en su área, consulte a las autoridades locales encargadas de la gestión de residuos.

**DECLARACIÓN DE CONFORMIDAD CE**

**Tipo de máquina:** Pulidora de suelo giratoria

**Tipo:** Pulidora inalámbrica Orbis    **Modelo:** OCB451500...

Esta máquina cumple las siguientes directivas de la UE:

2006/42/CE                      **Directiva sobre maquinaria**

2004/108/CE                    **Directiva EMC**

**Normativas armonizadas aplicadas**                      EN60335-1, EN60335-2-67, EN60335-2-29, EN55014-1, EN55014-2, EN610003-2, EN610003-3, EN62233

**CE** *M. Eneas*

**Truvox International**  
Third Avenue, Millbrook  
SO15 0LE, Southampton  
Hampshire (Inglaterra)

Malcolm Eneas  
*Gerente de operaciones*

Southampton, 29-12-2009

**ESPECIFICACIONES TÉCNICAS**

Modelo		Pulidora inalámbrica Orbis UHS
Código de producto		OCB451500
Tensión de carga CA (~)/ Frecuencia	V/ Hz	100-230/50-60
Tensión de batería CC	V	24
Datos de la batería		2x 12V 44AH (C5)
Potencia del motor	W	480
Tiempo de ejecución	h	2
Tiempo de carga	h	8
Tasa de productividad	m <sup>2</sup> /h	860
Diámetro de almohadilla	cm	43
Velocidad de la almohadilla	r.p.m.	1500
Presión de almohadilla	g/cm <sup>2</sup>	3
Nivel de presión acústica	dB (A)	56,6
Vibración del manillar	m/s <sup>2</sup>	< 2,5
Dimensiones con manillar (L x A x H)	cm	70 x 45 x 86
Dimensiones sin manillar (L x A x H)	cm	70 x 45 x 50
Peso con baterías	kg	62,5
Peso sin baterías	kg	e, no
Garantía		1 año

- Niveles de presión acústica medidos a una distancia de 0,25 metros desde la máquina y a 1,5 metros sobre el suelo, durante el pulido de un suelo duro. Mediciones registradas utilizando un medidor portátil.
- La vibración del manillar no supera los 2,5 m/s<sup>2</sup> al trabajar sobre cualquier superficie con almohadillas. Mediciones registradas por un laboratorio de pruebas independiente.

**Si tiene dudas o preguntas, póngase en contacto con el proveedor al que le compró la máquina o con Truvox International.**

**Truvox International Limited**

Third Avenue, Millbrook, Southampton, Hampshire, SO15 0LE, (Reino Unido); Tel.: +44 (0) 23 8070 6600; Fax: +44 (0) 23 8070 5001; Correo electrónico: sales@truvox.com; Página web: www.truvox.com

**Consulte las imágenes de la máquina que aparecen en la página 1**

- |   |  |
|---|--|
| <b>1 Botón de bloqueo, izquierdo o derecho</b><br>Se utiliza para encender (ON) y apagar (OFF) el motor. Únicamente se puede utilizar cuando el manillar está en posición de funcionamiento y si el botón de bloqueo izquierdo se ha pulsado previamente.         | <b>4 Palanca de alimentación de solución limpiadora</b><br>Actúa sobre la válvula de flujo del bote pulverizador (en caso de estar instalado).<br>- Tire de la palanca para suministrar solución limpiadora.<br>- Suelte la palanca para detener el flujo. |
| <b>2 Gatillo interruptor, izquierdo o derecho</b><br>Se utiliza para encender (ON) y apagar (OFF) el motor. Únicamente se puede utilizar cuando el manillar está en posición de funcionamiento y si el botón de bloqueo izquierdo se ha pulsado previamente.      | <b>5 Manillar</b>  |
| <b>3 Palanca de ajuste de manillar</b><br>Se utiliza para ajustar el manillar a una altura cómoda de trabajo. Nota: Por razones de seguridad, no se puede poner la máquina en funcionamiento hasta que no se haya desplazado el manillar a una altura de trabajo. | <b>6 Cubierta de la batería</b>  |
|   | <b>7 Cubierta del motor</b>  |
|   | <b>8 Protector del cepillo</b>   |
|   | <b>9 Indicador de batería</b><br>Indica la batería que queda disponible.   |
|   | <b>10 Interruptor de llave</b><br>Enciende y apaga la batería.   |
|   | <b>11 Cable cargador de la batería</b><br>Conecta la máquina a la red eléctrica para cargar la batería.  |
|   | <b>12 Luces indicadoras de carga de batería</b><br>Indican el estado de la carga de la batería.  |

### **1. Información del producto**

Estas máquinas de tratamiento de suelos comerciales están diseñadas para pulir y limpiar rápidamente suelos duros interiores. Con cada modelo se suministra un sistema de control del polvo pasivo. Esta pulidora inalámbrica de batería constituye la última innovación en la vanguardia de la limpieza diaria. Gracias a su funcionamiento silencioso y a su diseño compacto, es ideal para el uso en diferentes ambientes. Se deben utilizar baterías que no necesiten mantenimiento (gel) que proporcionan hasta 2 horas de funcionamiento. El indicador de batería permite al operador calcular el grado de batería disponible y en un cargador de batería integrado permite cargarlo cómodamente. Se puede instalar un sistema opcional de pulverización de solución limpiadora en el manillar, el cual se puede manejar agarrando el manillar con las dos manos, con lo que se consigue tener un completo control sobre la máquina. La máquina está destinada a uso comercial, por ejemplo, hoteles, centros educativos, hospitales, fábricas, tiendas, oficinas, empresas de alquiler y a otros usos diferentes de las tareas domésticas habituales.

Las siguientes instrucciones contienen información importante sobre las máquinas y consejos de seguridad para el operario. Estas instrucciones son válidas para los siguientes modelos:

#### **Pulidora inalámbrica Orbis - OCB451500...**

Las operaciones de manejo, reparación y mantenimiento del equipo se deben realizar de conformidad con las instrucciones

del fabricante. En caso de duda, póngase en contacto con el proveedor.



### **1.1 Consejos importantes de seguridad**

Cuando se utilice esta máquina se deben tener en cuenta precauciones de seguridad básicas, incluyendo las que se detallan a continuación:

- Esta máquina únicamente se debe utilizar para las aplicaciones aprobadas por el fabricante, tal y como se describe en el presente manual.
- Tenga en cuenta que la información de seguridad que aparece en el manual complementa las normativas vigentes en el país en el que se utiliza la máquina y, por tanto, no las sustituye.
- **ADVERTENCIA** - Utilice únicamente accesorios y recambios suministrados con la máquina o aquellos que cuenten con la aprobación del fabricante. El uso de otros recambios o accesorios podría perjudicar la seguridad de la máquina.
- **PRECAUCIÓN** - Esta máquina está destinada al uso exclusivo en interiores secos y no se debe utilizar ni almacenar en exteriores con humedad.
- Todas las piezas se deben colocar tal y como se indica en las instrucciones, antes de utilizar la máquina.
- Se debe desembalar y montar la máquina de conformidad con estas instrucciones antes de conectarla a la red eléctrica.
- **NO** utilice la máquina si tiene polvo peligroso.
- **NO** utilice la máquina en ambientes explosivos.
- **NO** utilice la máquina cerca de líquidos, polvo o vapores inflamables.
- **NO** utilice la máquina para recoger humedad o líquidos.
- **NO** utilice la máquina para limpiar materiales ardientes o encendidos, como cigarrillos, cerillas, cenizas u otros objetos combustibles.
- Preste atención al utilizar la máquina cerca de la parte superior de unas escaleras para evitar perder el equilibrio.
- Utilice la máquina únicamente sobre superficies firmes y niveladas. **NO** utilice la máquina en pendientes o en inclinaciones superiores al 2%.
- **NO** utilice esta máquina sobre superficies ásperas no uniformes, p. ej., suelos industriales de hormigón.
- **NO** utilice la máquina sobre superficies de hormigón grueso.
- **NO** utilice la máquina en exteriores, p. ej., patios, terrazas o superficies ásperas.
- **NO** barra sobre superficies húmedas.
- **ADVERTENCIA** - No llene la máquina con agua a una temperatura superior a 50 °C.
- **NO** utilice gasóleo/gasolina o detergentes corrosivos para limpiar los suelos.
- **NO** limpie ni aspire líquidos corrosivos, inflamables y/o explosivos, incluso si están diluidos.
- **NO** coloque ningún objeto en los orificios.
- **NO** utilice la máquina si tiene orificios obstruidos; manténgala sin polvo, suciedad o cualquier objeto que pueda reducir el flujo de aire.
- **NO** cubra la máquina mientras la esté usando.
- **NO** utilice la máquina cuando esté conectada a la red eléctrica.
- **NO** deje la llave en el interruptor de funcionamiento cuando no la esté usando, retírela siempre.
- Se debe retirar la llave del interruptor de funcionamiento antes de comenzar la limpieza de la máquina o de realizar operaciones de mantenimiento.

- **NO** deje la máquina conectada a la red eléctrica cuando no la esté usando; retire siempre el enchufe de la toma de corriente.
- **NO** deje la máquina desatendida mientras esté en funcionamiento.
- Esta máquina se debe conectar siempre a una red eléctrica con conexión a tierra con la tensión y frecuencia adecuadas.
- Se debe desconectar la máquina de la fuente de energía, retirando el enchufe de la toma de corriente, durante los procesos de limpieza y mantenimiento, así como durante la sustitución de piezas o accesorios.
- **NO** utilice la máquina si se ha dañado al permanecer en el exterior o se ha caído al agua.
- **NO** manipule los interruptores ni toque el enchufe de red con las manos mojadas, ya que podrían producirse descargas eléctricas.
- **ADVERTENCIA** - Mantenga el cable de alimentación alejado de las piezas móviles (y/o de los cepillos rotatorios). Pasar la máquina por encima del cable de alimentación durante el funcionamiento puede resultar peligroso.
- **NO** utilice la máquina si el cable de alimentación o el enchufe están dañados, si se produce algún fallo de funcionamiento o si presenta algún daño. Póngase en contacto con un agente de servicios autorizado para realizar trabajos de reparación o ajuste.
- **NO** arrastre la máquina ni la transporte tirando del cable de alimentación. **NO** utilice el cable como manillar, no cierre ninguna puerta engancho el cable ni lo pase por bordes o esquinas cortantes.
- Se debe retirar el enchufe del cable de alimentación de la toma de corriente antes de limpiar la máquina o de realizar operaciones de mantenimiento.
- **NO** retuerza ni gire el cable de alimentación y manténgalo alejado de superficies calientes.
- Cuando lo desenchufe, tire del enchufe, no del cable de alimentación.
- Cuando realice la carga, utilice únicamente el cargador suministrado.
- **NO** utilice un cargador dañado.
- Cuando no utilice el cargador, éste se debe desconectar de la toma de red eléctrica.
- Se debe retirar el enchufe del cable del cargador de la toma de corriente antes de comenzar la limpieza de la máquina o de realizar operaciones de mantenimiento.
- **NO** cargue la máquina con un cable cargador o enchufe dañados, si se produce algún fallo de funcionamiento o si presenta cualquier tipo de daño. Póngase en contacto con un agente de servicios autorizado para realizar trabajos de reparación o ajuste.
- El cable cargador de batería se debe inspeccionar con regularidad para detectar posibles daños. En caso de que el cable esté dañado, únicamente podrá ser sustituido por el fabricante, su agente de servicios o una persona cualificada con el fin de evitar peligros.
- Cuando realice las recargas, asegúrese de que el área está suficientemente ventilada.

#### **Advertencias generales sobre las baterías**

- **ADVERTENCIA** - Utilice un equipo de protección personal adecuado para evitar el contacto con la piel (consulte las normativas vigentes en el país en el que se utiliza la máquina).
- **NO** inhale el vapor, es peligroso.
- Está prohibido fumar y/o utilizar llamas en una distancia de 2 metros de la batería mientras se está cargando, en el área de carga y mientras la batería se está enfriando después de la carga.

- Informe de cualquier fuga de líquido en la batería. Las fugas son peligrosas y muy contaminantes.
- **ADVERTENCIA** - En caso de incendio, utilice únicamente extintores de polvo aprobados; **NO** utilice agua para apagar el fuego.

#### **1.2 Directrices para el operario**

- Esta máquina no está destinada al uso por personas (incluyendo niños) con capacidades físicas, sensoriales o mentales reducidas, o con falta de experiencia y conocimiento, a menos que hayan recibido formación sobre el manejo de la máquina o se encuentren bajo la supervisión de una persona responsable de su seguridad.
- Los operarios deben haber recibido una formación completa sobre el uso de la máquina de conformidad con estas instrucciones, lo que les permitirá realizar las operaciones básicas de mantenimiento y la correcta elección de accesorios.
- Los operarios deben ser capaces físicamente de maniobrar, transportar y manejar las máquinas.
- Los operarios deben ser capaces de reconocer un funcionamiento inusual de la máquina y de informar sobre cualquier tipo problema que se presente.
- Durante el funcionamiento de la máquina, los niños y las personas no autorizadas deben mantenerse alejados de ella.
- Mantenga a los niños y a las mascotas alejadas de las soluciones limpiadoras en todo momento.
- **PRECAUCIÓN** – Esta máquina está destinada al uso exclusivo en interiores secos y no se debe utilizar ni almacenar en exteriores con humedad.
- **NO** limpie la máquina utilizando pulverizadores de agua o chorros.
- Mantenga el cabello, la ropa suelta, las manos, los pies y cualquier otra parte del cuerpo alejados de los orificios y las piezas móviles.
- Mantenga la máquina limpia y en buenas condiciones de funcionamiento.
- Deje que la máquina realice el trabajo. Agarre el manillar lo más ligeramente posible.
- Para mantener el equilibrio, colóquese erguido con los pies ligeramente separados. Evite girar el cuerpo más de 45 grados.
- Utilice calzado apropiado para evitar resbalones.
- Utilice prendas apropiadas para mantenerse seco y abrigado.
- Cuando sea posible, ponga en práctica turnos de trabajo y periodos de descanso adecuados para evitar el uso continuado de los mismos músculos.
- **NO** fume mientras esté utilizando la máquina.

#### **1.3 Transporte de la máquina**

##### **PRECAUCIÓN - MÁQUINA PESADA**

No intente levantar la máquina sin ayuda. El uso de técnicas de elevación incorrectas puede provocar daños personales. Aconsejamos que se sigan las regulaciones de manipulación manual. Consulte la tabla técnica para obtener más detalles sobre el peso de la máquina. La máquina se puede desplazar hasta la zona de trabajo mediante sus ruedas traseras de transporte. Cuando transporte la máquina, asegúrese de que todos los componentes, depósitos y piezas desmontables se encuentran correctamente fijados. Tenga sumo cuidado al subir o bajar la máquina por escaleras o escalones. No levante la máquina por el manillar de control o por la cubierta exterior, levántelo siempre por el chasis. Para mover la máquina al área de trabajo bloquee el manillar e inclínela hacia atrás para levantar la parte delantera del suelo, y llévela hasta su posición.

**PRECAUCIÓN** - Los golpes contra umbrales, bordillos y



obstáculos similares pueden dañar la máquina. Los obstáculos pequeños se pueden salvar tirando de la máquina hacia atrás.

## **2. Preparación para el uso**

### **2.1 Conexión eléctrica**

Antes de conectar la máquina a la red eléctrica, compruebe que la tensión de alimentación coincide con la indicada en la etiqueta de características de la máquina.

#### **Únicamente Reino Unido**

El cable de alimentación para los modelos 230v incorpora un enchufe con un fusible de 13 ampo. En caso de necesitar sustituir el fusible, únicamente se puede sustituir por un fusible de 13 amp, de conformidad con BS1362, y se debe reparar la cubierta del fusible. Si se hubiera perdido la cubierta del fusible, el enchufe no se debe utilizar hasta que se coloque una.

En caso de utilizar un alargador, asegúrese de que la tasa del cable es adecuada para el equipo. No utilice un alargador de bobina, ya que se podría producir un sobrecalentamiento del cable. El cable de alimentación junto con cualquier tipo de cables de extensión no deben superar los 30 m en total. La sección transversal de cualquier tipo de cableado de extensión tiene que tener un mínimo de 2,5 mm<sup>2</sup>.

**ADVERTENCIA** – ESTE APARATO DEBE ESTAR CONECTADO A TIERRA.

### **2.2 Instalación de las almohadillas**

**ADVERTENCIA** - Este aparato ha sido diseñado para el uso exclusivo con almohadillas pulidoras de calidad. La instalación de almohadillas no adecuadas puede afectar a su rendimiento y seguridad. **ADVERTENCIA** - Asegúrese de que la máquina está apagada antes de añadir o cambiar accesorios.

- Instale almohadillas adecuadas a la velocidad de la máquina y a la superficie que se va a pulir, tal y como recomienda el fabricante de las almohadillas.
- Antes de instalar o retirar las almohadillas, asegúrese de que el interruptor llave (10) de la máquina está en la posición OFF y de que la llave está retirada.

**PRECAUCIÓN** - Si se instala un bote pulverizador, baje el manillar (5) cuidadosamente para evitar dañar el bote.

- Retire la llave. Pliegue el manillar e incline cuidadosamente la máquina sobre las ruedas traseras.
- Retire el elemento de fijación de la almohadilla en el sentido contrario a las agujas del reloj.
- Apriete la almohadilla de limpieza de forma central en la placa de accionamiento. Asegure la almohadilla utilizando el elemento de fijación.
- Vuelva a colocar la máquina en posición vertical.

**IMPORTANTE** - Cuando la máquina no esté en uso, el cabezal de limpieza no debe apoyarse nunca sobre el cepillo, el disco de accionamiento o la almohadilla.

### **3. Controles**

Los controles de funcionamiento se encuentran en el manillar (5). Consulte la página 1.

## **4. Funcionamiento**

### **4.1 Puesta en marcha de la máquina**

**ADVERTENCIA** - Nunca ponga la máquina en funcionamiento sin almohadilla.

- No deje que la máquina gire sobre un mismo punto, puesto que podría provocarse un sobrecalentamiento y dañar la superficie del suelo.
- Desplace el interruptor llave (10) a la posición ON.
- Con el manillar (5) ajustado a una altura de trabajo adecuada y con ambas manos sobre él, pulse los dos botones de bloqueo (1) con los pulgares y apriete los dos gatillos interruptores (2) para poner la máquina en marcha.
- Cuando la máquina esté en marcha, se pueden soltar los botones de bloqueo (1). La máquina funciona con cada uno gatillo interruptor pulsado o con ambos (2).
- Para parar la máquina, suelte los gatillos interruptores (2).
- La dirección de movimiento normal de la máquina es hacia delante y hacia atrás.

### **4.2 Sistema de pulverización Orbis**

- Bombear el pistón que se encuentra en la parte superior del bote entre 10 y 15 veces para crear presión de pulverización.
- Pulse el gatillo auxiliar que se encuentra en el manillar para pulverizar la solución limpiadora sobre el suelo.

### **4.3 Cuando la limpieza está terminada**

- Apague la máquina, levante el cabezal de limpieza y retire la almohadilla.
- Compruebe el estado del indicador de batería y recárguela si procede.

### **4.4 Cargar las baterías**

**ADVERTENCIA** - Cargue la batería únicamente cuando el indicador de batería (12) esté en la parte roja (dos luces encendidas). Las cargas parciales/de relleno pueden dañar las baterías. Esto provocará que el tiempo de funcionamiento se reduzca y que la vida útil total de la batería se vea afectada. **EVITE LA CARGA DE RELLENO.** Realice las cargas en un área bien ventilada.

- Tenga en cuenta que cuando aparece iluminado 1 RED de color rojo en el indicador de batería, el controlador interno deshabilitará la máquina.
- Conecte el cable cargador de batería suministrado con el enchufe de la máquina a la red eléctrica, asegurándose de que el suministro corresponde con el de la placa de características.
- La carga completa de las baterías dura 8 horas aproximadamente.

Las luces indicadoras de carga de batería (12) muestran: Inicialmente, cuando se está realizando la carga:

- El LED de color rojo permanece iluminado durante la primera fase de carga.
- El LED de color amarillo permanece iluminado mientras se está realizando la carga del volumen inicial.
- Cuando el LED de color verde parpadea, la batería está cargada al 80%.
- El LED de color verde iluminado indica que el cargador ha cambiado a carga lenta y que la batería está lista para el uso.
- El cargador está exclusivamente destinado a baterías de gel.
- No utilice la máquina cuando esté conectada a la red eléctrica.

## **5. Almacenamiento**

- Después de su uso, desenchufe la máquina, límpiela con un trapo y séquela.
- La máquina se debe guardar con el manillar en posición completamente recta.
- No guarde nunca la máquina con una almohadilla o un cepillo instalado, ya que se pueden producir deformaciones, lo que resultaría en inestabilidad durante el funcionamiento.
- Guarde la máquina exclusivamente en un lugar interior y seco.

## **6. Mantenimiento**

**ADVERTENCIA** - Antes de realizar operaciones de mantenimiento o ajustes, apague la máquina y desenchúfela de la red eléctrica. Asimismo, desconecte de forma segura el polo de la batería sin conexión de tierra (o con un método equivalente). **IMPORTANTE** - Cualquier otro servicio o reparación deberá ser realizado por un ingeniero de Truvox o agente de servicios autorizado. **IMPORTANTE** - En caso de que la máquina no funcione, consulte la sección de diagnóstico de fallos de funcionamiento que se encuentra en la parte final del presente manual de instrucciones. Si el problema/la solución no se encuentra en la lista, póngase en contacto con el Departamento de Atención al Cliente de Truvox para recibir asistencia rápida.

La máquina requiere un mantenimiento mínimo, además de las siguientes comprobaciones que tiene que realizar el operario antes del uso de ésta:

- Cable y enchufe de carga (11) – Inspeccione regularmente su revestimiento, el enchufe y el cable para detectar posibles daños o conexiones sueltas.
- Cuerpo de la máquina – Límpielo con un paño húmedo.
- Disyuntor de sobrecargas del motor – Todas las máquinas están provistas de un disyuntor de sobrecargas de motor de restablecimiento automático. El disyuntor se activará para proteger el motor contra sobrecalentamiento apagando la máquina cuando en el suelo se produzca una excesiva fricción/resistencia en el cabezal de limpieza. Esto se produce habitualmente porque la almohadilla o el suelo estén pegajosos. Dé la vuelta a la almohadilla de limpieza y, si ambos lados están sucios, sustitúyala por una limpia. Con una almohadilla sucia es imposible conseguir un buen acabado. En caso de que el disyuntor se ponga en funcionamiento, la máquina se restablecerá automáticamente cuando el motor se haya enfriado lo suficiente, normalmente transcurridos entre 15 y 30 min.

## **7. Servicio posventa**

Las máquinas Truvox son máquinas de alta calidad que han sido sometidas a pruebas de seguridad por técnicos especializados. Después de periodos de trabajo prolongados, los componentes eléctricos y mecánicos suelen mostrar signos de desgaste, rotura o envejecimiento. Para mantener la seguridad de funcionamiento y la fiabilidad se han definido los siguientes intervalos de mantenimiento: Cada año o después de 250 horas. En condiciones extremas o específicas, o si no se realiza un mantenimiento suficiente, son necesarios periodos de revisión más cortos. Utilice sólo recambios originales Truvox. El uso de otros recambios invalidará la garantía y las demandas de responsabilidad. Si necesita atención del servicio posventa, póngase en contacto con el proveedor que le vendió la máquina para acordar el servicio. Las reparaciones y operaciones de servicio de los productos Truvox deben ser realizadas exclusivamente por personal capacitado. Las reparaciones inadecuadas pueden constituir un peligro considerable para el usuario.

## **8. Garantía**

Su producto cuenta con una garantía de un año desde la fecha de compra original, o compra a plazos, contra defectos en materiales o mano de obra durante su fabricación. Durante el periodo de garantía nos comprometemos, a nuestra discreción, a reparar o sustituir, sin coste adicional para el comprador, toda pieza defectuosa, sujetos a las siguientes condiciones:

### **CONDICIONES**

1. Las reclamaciones formuladas en virtud de los términos de la garantía deben ir acompañadas de la factura/recibo original de compra emitida/o en el momento de la venta o el número de serie de la máquina.
2. Para formular reclamaciones en virtud de esta garantía, póngase en contacto con el proveedor que le vendió el producto, quien emprenderá las acciones adecuadas. En un principio, no devuelva el producto, ya que podría resultar dañado durante el transporte.
3. Ni Truvox ni su distribuidor se responsabilizarán de cualquier tipo de pérdida incidental o consiguiente.
4. La presente garantía está regida por la legislación de Inglaterra.
5. Esta garantía no cubre:
  - Mantenimiento periódico, ni reparaciones o sustituciones de piezas como consecuencia de un uso y desgaste normales.
  - Daños provocados por accidente, uso indebido o negligencia, o por la instalación de piezas que no sean originales de Truvox.
  - Defectos en piezas que no sean originales de Truvox, o reparaciones, modificaciones o ajustes realizados por personas que no sean ingenieros del servicio técnico de Truvox o agentes autorizados del servicio técnico.
  - Costes y riesgos de transporte relacionados directa o indirectamente con la garantía de este producto.
  - Consumibles como cepillos, discos de accionamiento, filtros y faldones de aspiración.
  - Esta garantía no afecta a sus derechos legales, ni a sus derechos frente al proveedor que se deriven de sus contratos de venta o de compra. La política de Truvox International Limited es el continuo desarrollo del producto y nos reservamos el derecho de modificar las especificaciones sin previo aviso.

## 9. Accesorios

Artículo	Pieza N.º	Uso
Recambio de baterías de mantenimiento 12V 44Ah (se necesitan 2)	04-3833-0000	Sustitución de baterías.
Conjunto de sistema de pulverización incl. soporte de montaje y tuberías	05-4156-000	Accesorio de limpieza de pulverización.

## 10. Diagnóstico de fallos de funcionamiento

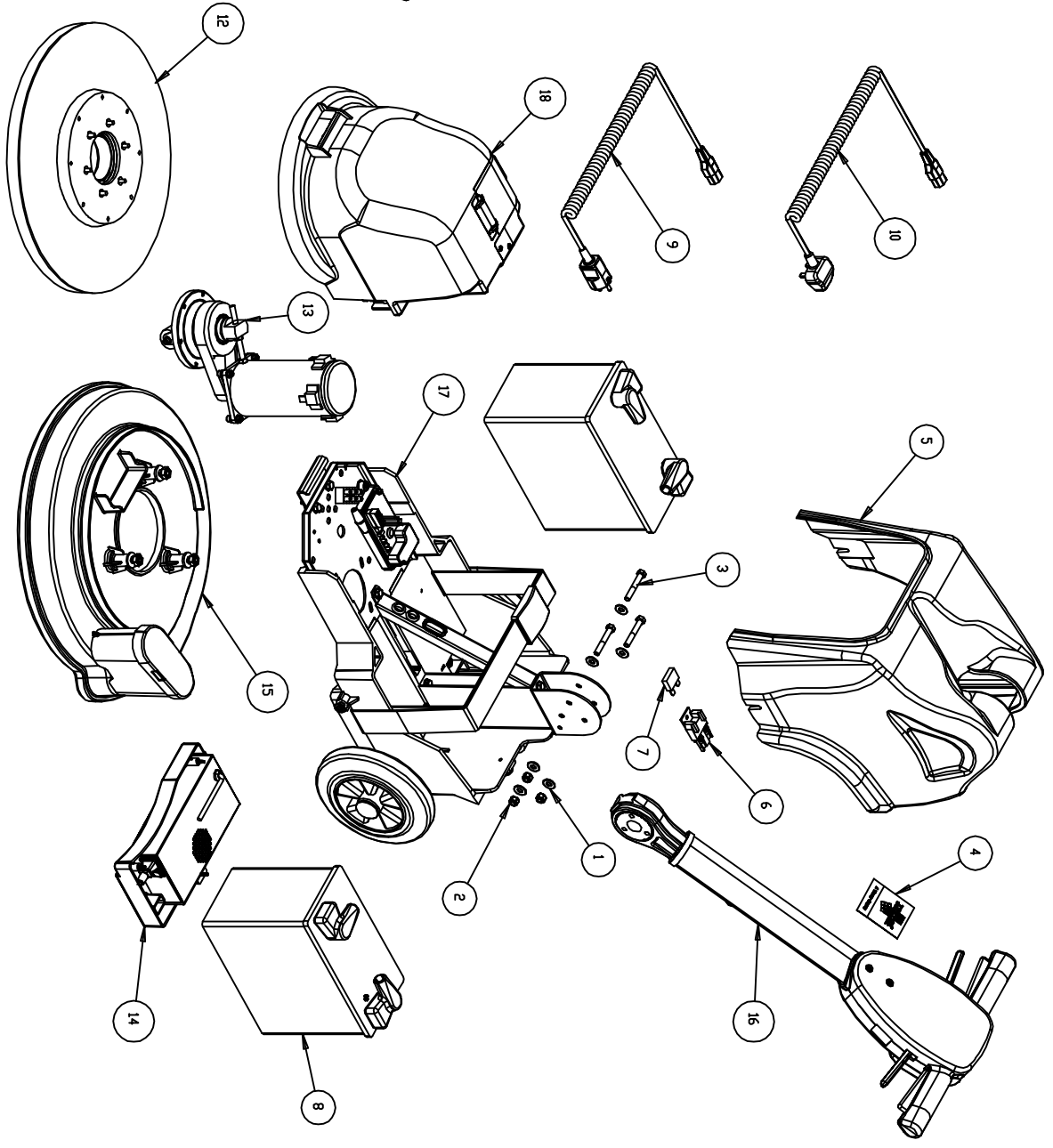
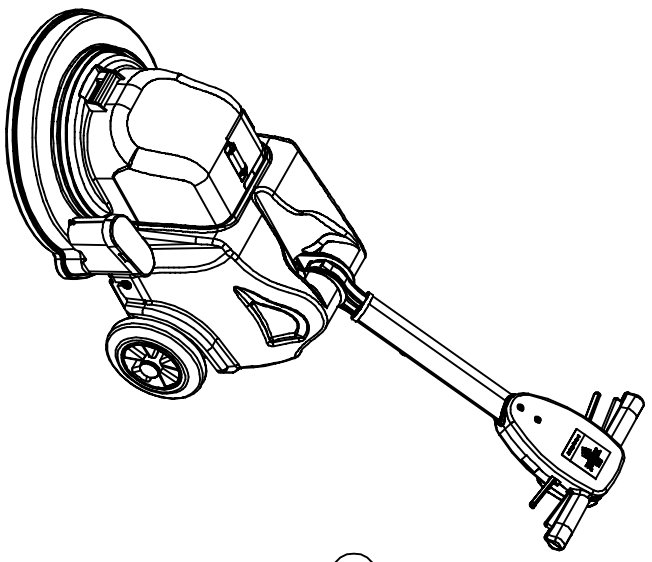
El operario puede realizar las siguientes comprobaciones sencillas:

Problema	Motivo	Solución
<b>No se iluminan las luces en el módulo de carga</b>	<ul style="list-style-type: none"><li>Fallo de alimentación</li></ul>	<ul style="list-style-type: none"><li>Compruebe el fusible de red, el cable de alimentación y el enchufe.</li></ul>
<b>El LED de color amarillo parpadea</b>	<ul style="list-style-type: none"><li>Batería inadecuada</li><li>La batería no está conectada</li></ul>	<ul style="list-style-type: none"><li>Póngase en contacto con el agente de servicio.</li><li>Conecte la batería</li></ul>
<b>Únicamente se ilumina el LED rojo del módulo de carga</b>	<ul style="list-style-type: none"><li>El cargador no está conectado correctamente</li><li>La batería está defectuosa</li><li>Carga finalizada</li></ul>	<ul style="list-style-type: none"><li>Póngase en contacto con el agente de servicio.</li></ul>
<b>La máquina no funciona</b>	<ul style="list-style-type: none"><li>Bloqueo del interruptor accionado incorrectamente.</li><li>Fusible de sobrecarga de corriente quemado*</li></ul>	<ul style="list-style-type: none"><li>Consulte las instrucciones de procedimiento de operación.</li><li>Póngase en contacto con el agente de servicio.</li></ul>
<b>La máquina tiembla o vibra en exceso</b>	<ul style="list-style-type: none"><li>La almohadilla está desgastada o dañada</li><li>La almohadilla no está centrada en el disco de accionamiento</li><li>La almohadilla está sucia</li><li>Selección incorrecta de almohadilla</li></ul>	<ul style="list-style-type: none"><li>Sustituya la almohadilla</li><li>Coloque la almohadilla en la posición correcta</li><li>Limpie la almohadilla</li><li>Póngase en contacto con el proveedor de la almohadilla</li></ul>

\* Si el fusible salta varias veces es necesario que un agente de servicio autorizado revise la máquina.



ITEM	PART No.	PART DESCRIPTION	QTY
1	00-0800-0551	M8 FORM C <sup>+</sup> WASHER	6
2	00-0800-0721	M8 NYLOC NUT	3
3	00-0855-0121	M8 x 55 HEX HEAD BOLT Z/P	3
4	03-6148-0000	DRBS HANDLE LABEL - TRUVIX	1
5	03-8144-0000	BATT BURN BATTERY COVER	1
6	04-3665-0000	FUSE HOLDER	1
7	04-3761-0000	FUSE 30 A	1
8	04-3833-0000	12V 44AH BATTERY - EXIDE	2
9	04-3905-0000	CHARGER CURLY CORD - EURO	1
10	04-3906-0000	CHARGER CURLY CORD - UK	1
11	N/A	N/A	NA
12	05-4085-0000	UHS FLEXI-DRIVE 17"	1
13	05-4562-0000	BATTERY BURNISHER DRIVE ASSEMBLY	1
14	05-4585-0000	BATTERY BURNISHER CHARGER ASSEMBLY	1
15	05-4564-0000	BATTERY BURNISHER BRUSH GUARD ASSEMBLY	1
16	05-4565-0000	BATTERY BURNISHER HANDLE ASSEMBLY	1
17	05-4566-0000	BATTERY BURNISHER BASE ASSEMBLY	1
18	05-4567-0000	BATTERY BURNISHER MOTOR COVER ASSEMBLY	1



MATERIAL:		GEN. TB.		TITLE:		PART NO.	
1	REC CHANGER ISSUED	MC	BOARD	TRUVIX INTERNATIONAL LIMITED	CB451500		
2	REVISED	MC	STUBS				
3	ORIGINAL ISSUE	NN	23/09/88				
4	ISSUE ECU CHANGES	INT	DATE				























