

Tacony CFC**Orbis 200rpm 17Inch Heavy Duty**

Part Number:	OB45200/HD
Series:	D (From serial no. 27402)
Subassembly Base P/N:	05-4141-0000 (OB45200/HD)
Subassembly Handle P/N:	05-4614-0000 (UK 230V), 05-4616-0000 (Euro 230V)
Date:	01-May-18
Reference Drawing:	09-1018-0000 (Base Assembly), 09-1002-0000 (Handle Assembly)
Reference Drawing Issue:	C
Modified By:	J WYLES
Service Parts List Issue:	8
Description of Change:	Include Weight Assemblies
	ECN # 1225

Ref. No.	Part No.	Part Description	Qty
		DRAWING REF: 09-1018-0000 - BASE ASSEMBLY	
1	02-0254-0000	Starlock washer	2
2	02-0264-1000	Pipe (Only available on Orbis 200 models)	0.145M
3	02-3121-0000	Wheel	2
4	02-3130-1000	Adjusting Bolt Thread Protection Tube	0.06M
5	02-3185-0000	Crinkle Washer	2
6	02-3499-0000	Belt - main drive	1
8	02-3501-0000	Belt Tensioning Spring	1
9	03-6172-0000	Rubber Washer	1
12	02-3507-0500	Flexible coupling - vibration damper	5
13	03-8323-0000	Barbed Elbow Fitting (Only available on Orbis 200 models)	1
14	02-3519-0000	Round Plastic Spacer	1
16	03-6194-0000	Orbis Fan Cover Locking Pin	5
19	03-6077-0000	Engagement Hub	1
21	03-6079-0000	Spindle	1
22	02-3124-0000	Wheel Cap	2
23	03-6081-0000	Axle	1
24	03-6082-0000	Motor Mount Plate	1
25	03-6083-0067	Motor Cover Jet Black	1
26	03-6084-0035	Fan Cover Teal	1
27	03-6101-0035	Base Mould Teal	1
28*	03-6102-0067	17" Heavy Duty Brush Guard Jet Black RAL9005	1
29	03-6106-0000	Output Drive Spacer	1
33	04-0279-0000	Cable Ties	2
34 - 37	SEE NOTE BELOW - PRIOR TO CONTACTING TRUVOX PLEASE ADVISE WHICH MOTOR IS CURRENTLY IN THE MACHINE (SEE PAGE 2)		
38	04-3235-0000	Female Socket	1
39	04-3244-0000	Base Wiring Kit (Not Shown)	1
40	05-3698-0000	Tension Arm and Idler Assembly	1
41	05-3467-0000	Orbis Drive Pulley & Hub Assy	1
42	05-3700-0000	Orbis Motor Cover Assembly	1
43	05-3784-0000	Weight Left Hand Side For Orbis HD Assy	1
44	05-3783-0000	Weight Right Hand Side For Orbis HD Assy	1
45	05-3786-0000	Retaining Knob for Orbis HD weights	2
46	02-4187-0000	Gasket rubber rectangular 15mmx10mmx1.5mm	6
<u>Fasteners</u>			
50	02-3515-0000	Self Tapper	7
51	00-0830-0091	Output Drive Hub/Pulley Fix M8 x 30 Socket Head Screw	3
52	00-0800-0721	Output Drive Hub/Pulley Fix M8 Nyloc	3

53	00-0899-0111	Tensioning Spring Bolt M8 x 130 Hex Head Screw	1
54	00-0800-0551	Tensioning Spring Washers Form "C" Large Diameter	2
55	00-0800-0701	Tensioning Spring Nut M8 Full Nut	1
56	00-0800-0711	Tensioning Spring Locknut M8 Lock Nut	1
60	00-0800-0751	Bolt Securing Nut M8 Type "T" 1/2 Nyloc Nut	2
61	00-2000-0701	Output Drive Nut M20 Full Nut	1
62	00-2000-0521	Output Drive Securing Washer M20 Int Shakeproof Washer	1
63	00-2000-0501	Output Drive Washer M20 Plain Washer	2
64	00-0816-0111	Motor Mount Bolt M8 x 16 Hex Head Bolt	4
65	00-0800-0511	Motor Mount Spring Washer M8 Single Coil	4
66	00-0600-0721	Vibration Mount Nut M6 Nyloc Nut	10
67	00-0520-0111	Earth Mount on Plate M5 x 20 Hex Head Screw	1
68	00-0500-0531	Earth Mount on Plate Shakeproof M5 External Shakeproof	1
69	00-0500-0701	Earth Mount on Plate Nuts M5 Full Nut	2
70	00-0500-0511	Earth Mount on Plate Springwasher M5 Single Coil	1
71	00-0520-0111	Relay Fixing Bolt M5 x 20 Hex Head Screw	1
72	02-3250-0000	Capacitor Securing Washer M8 External Fan	1
73	02-3515-0000	Motor Cover Securing Screws	2
74	00-0500-0531	Relay Bolt Shakeproof Washer M5 External Shakeproof	1

Motor 1 - Leroy

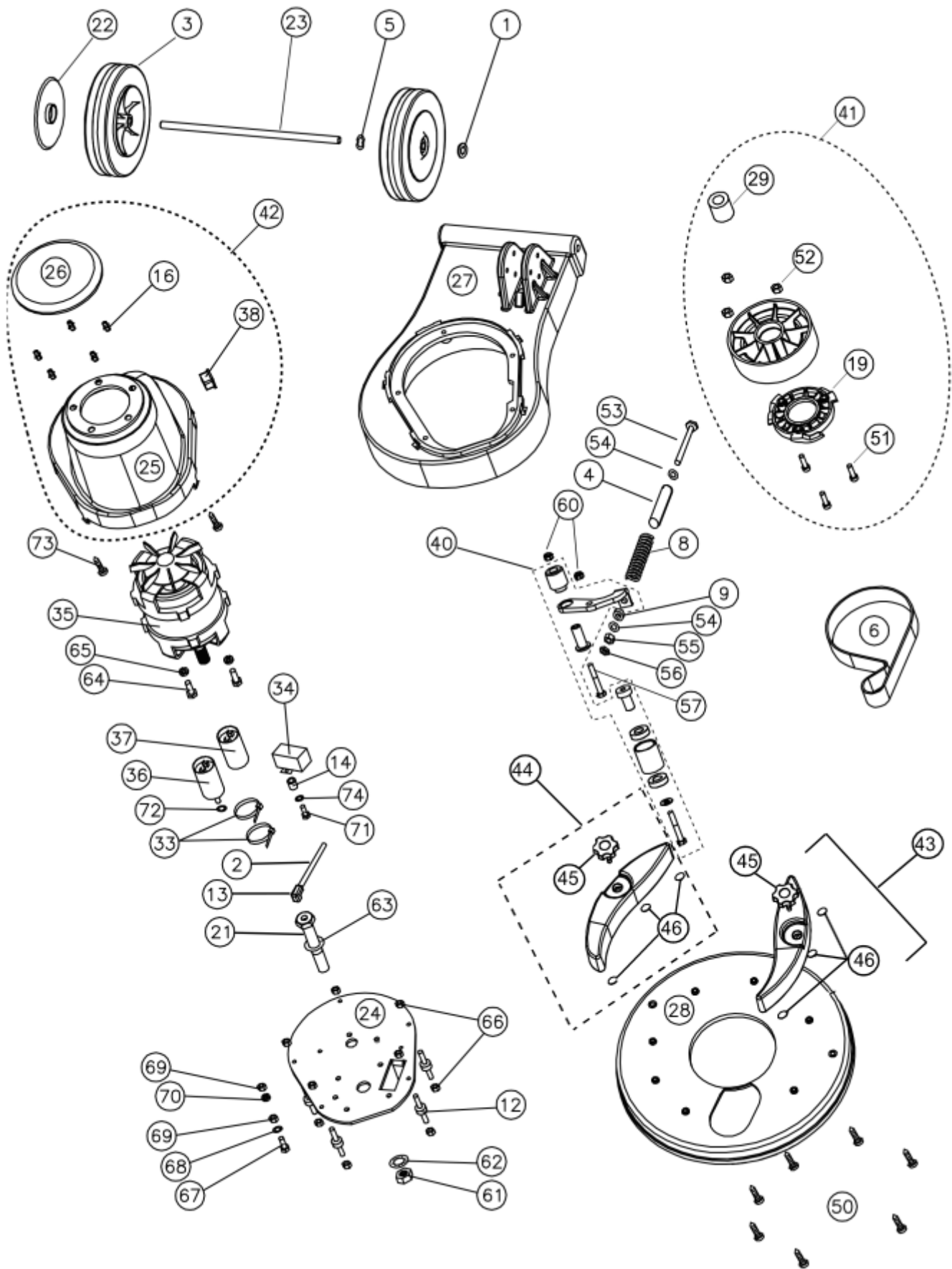
34	04-3150-0000	Relay	1
35a	04-3223-0000	Motor 1100W, 50Hz, 4 Pole (200 Speed Machine)	1
36	04-3228-0000	Capacitor Run 32 uf	1
37a	04-3230-0000	Capacitor Start 80 uf (200 Speed Machine)	1

Motor 2 - Lemac

34	04-3925-0000	Relay	1
35a	04-3943-0000	Motor 1100W, 50Hz, 4 Pole (200 Speed Machine)	1
36	04-3957-0000	Capacitor Run 25 uf	1
37a	04-3956-0000	Capacitor Start 150 uf (200 Speed Machine)	1

Motor 3 - Tacony

34	04-3974-0000	Relay	1
35a	04-3223-0500	Motor 1100W 230V 50Hz 4 POLE c/w Capacitors & Relays	1
36	04-3501-0500	Capacitor Run 30 uf	1
37a	04-3956-0000	Capacitor Start 150 uf (200 Speed Machine)	1



Tacony CFC

Orbis 200rpm 17In HD Base Assy

Part Number:

05-4141-0000 (OB45200/HD)

Date: 01-May-18

Sheet no.

Drawing Number: 09-1018-0000 (Base Assembly)

1 / 1

Drawing Issue: C

Modified By: J WYLES

DESCRIPTION OF CHANGE

ECN #

Reference Parts List Issue: 8

Include weight assemblies

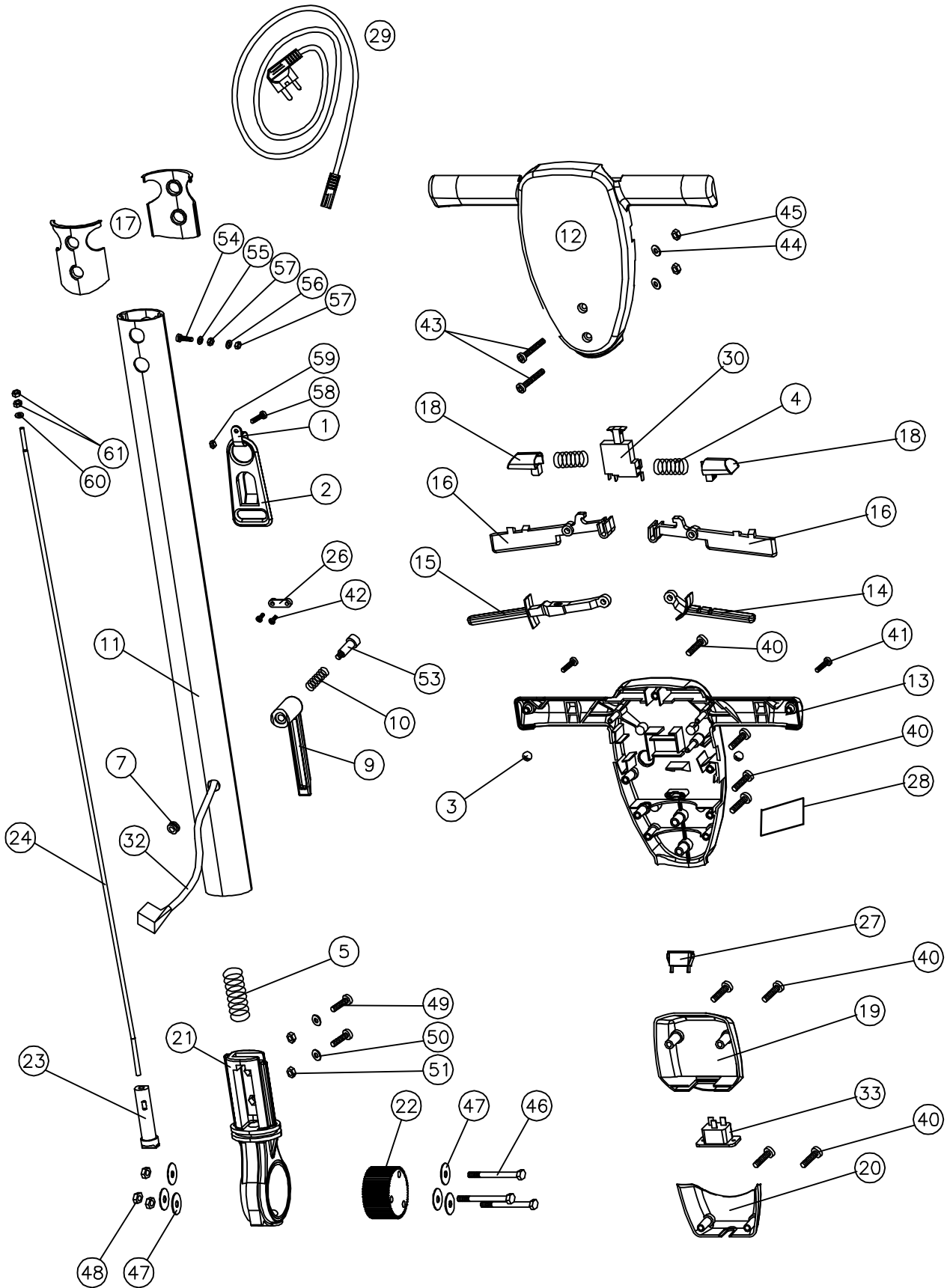
1225

Ref. No.	Part No.	Part Description	Qty
Drawing Ref: 09-1002-0000 Handle Assy			
1	02-3151-0000	P Clip	1
2	02-3152-0000	Cable Strain Relief Bracket	1
3	02-3186-0000	Ball bearing	2
4	02-3510-0000	Handle Interlock Spring	2
5	02-3511-0000	Gear dog Spring	1
7	02-3520-0000	Diaphragm Grommet	1
9	03-5403-0000	Cable winder	1
10	03-5410-0000	Cable Winder Spring	1
11	03-6085-0000	Tube - handle aluminium ext.	1
12	03-6086-0067	Handle main - front Jet Black	1
13	03-6087-0067	Handle main - rear Jet Black	1
14	03-6088-0067	Solution Lever Jet Black	1
15	03-6089-0067	Gear lever Jet Black	1
16	03-6090-0067	Trigger left and right Jet Black	2
17	03-6091-0000	Handle Rubber boot	2
18	03-6092-0067	Interlock Jet Black	2
19	03-6093-0067	Cord inlet box Jet Black	1
20	03-6094-0067	Cord retainer Jet Black	1
21	03-7831-0000	Aluminium Knuckle	1
22	03-6096-0000	Gear	1
23	03-6097-0000	Dog	1
24	03-6098-0000	Adjusting Gear Rod	1
26	04-0237-0000	Cable clamp	1
27	04-3254-0000	Neon Indicator Green	1
28	03-6693-0067	Handle Socket Blanking Plate	1
29a	04-3055-0053	Supply Cord Set	1
29b	04-3055-0153	Europlug Supply Cord Set	1
30	04-3237-0000	Switch	1
32	04-3240-0000	Drop lead	1
33	04-3242-0000	16Amp Inlet Socket	1
Not Shown	10-0123-0000	Orbis Handle Power Take Off Kit	1
Not Shown	04-3239-0000	Handle Wiring Kit With Power Take Off	1
Not Shown	02-3521-0000	13mm Spanner for ORBIS	2
Not Shown	03-6120-0000	Instruction Manual	1
Not Shown	04-3937-0000	Handle Wiring Kit Without Power Take Off	1

Fasteners

40	02-3516-0000	Self Tapper (Main Handle / Cord Inlet Box)	11
41	02-3517-0000	Self Tapper (Handle Ends)	2
42	02-3518-0000	Self Tapper (Cable Clamps)	2
43	00-0650-0011	Handle Tube Fix M6 x 55 Pozi Pan Head Screw	2
44	00-0600-0521	Handle Tube Fix M6 Shakeproof	2
45	00-0600-0701	Handle Tube Fix M6 Full Nut	2
46	00-0875-0121	Handle Attachment Bolt M8 x 70 Hex Head Bolt	3
47	02-0223-0000	Handle Attachment Washer Zinc Washer 5/16" x 1 1/4"	6
48	00-0800-0751	Handle Attachment Nut M8 Type "T" 1/2 Nyloc Nut	3
49	00-0816-0111	Knuckle Bolt M8 x 16 Hex Head	2
50	00-0800-0501	Knuckle Washer M8 "A" Form Washer	2
51	00-0800-0731	Knuckle Nut M8 Binx Nut	2
53	02-3523-0000	New Cable Winder Bolt Socket Shoulder Bolt M6 x 8 x 40	1
54	00-0520-0111	Earth Mount on Handle M5 x 20 Hex Head	1
55	00-0500-0531	Earth Mount on Handle Serrated Washer M5 External	1

56	00-0500-0511	Earth Mount on Handle Spring Washer M5 Single Coil	1
57	00-0500-0701	Earth Mount on Handle Fixing Nuts M5 Full Nut	2
58	00-0520-0111	Cable Restraint Bolt M5 x 20 Hex Head Screw	1
59	00-0500-0701	Cable Restraint Nut M5 Full Nut	1
60	00-0500-0501	Gear Rod Washer M5 Washer	1
61	00-0500-0701	Gear Rod Nuts M5 Full Nut	2



Tacony CFC

Orbis 200 and 400rpm 17In HD Handle Assy

Part Number:

05-4614-0000 (UK 230V), 05-4616-0000 (Euro 230V)

Date: 01-May-18

Sheet no.

Drawing Number: 09-1002-0000 (Handle Assembly)

1 / 1

Drawing Issue: C

Modified By: J WYLES

DESCRIPTION OF CHANGE

ECN #

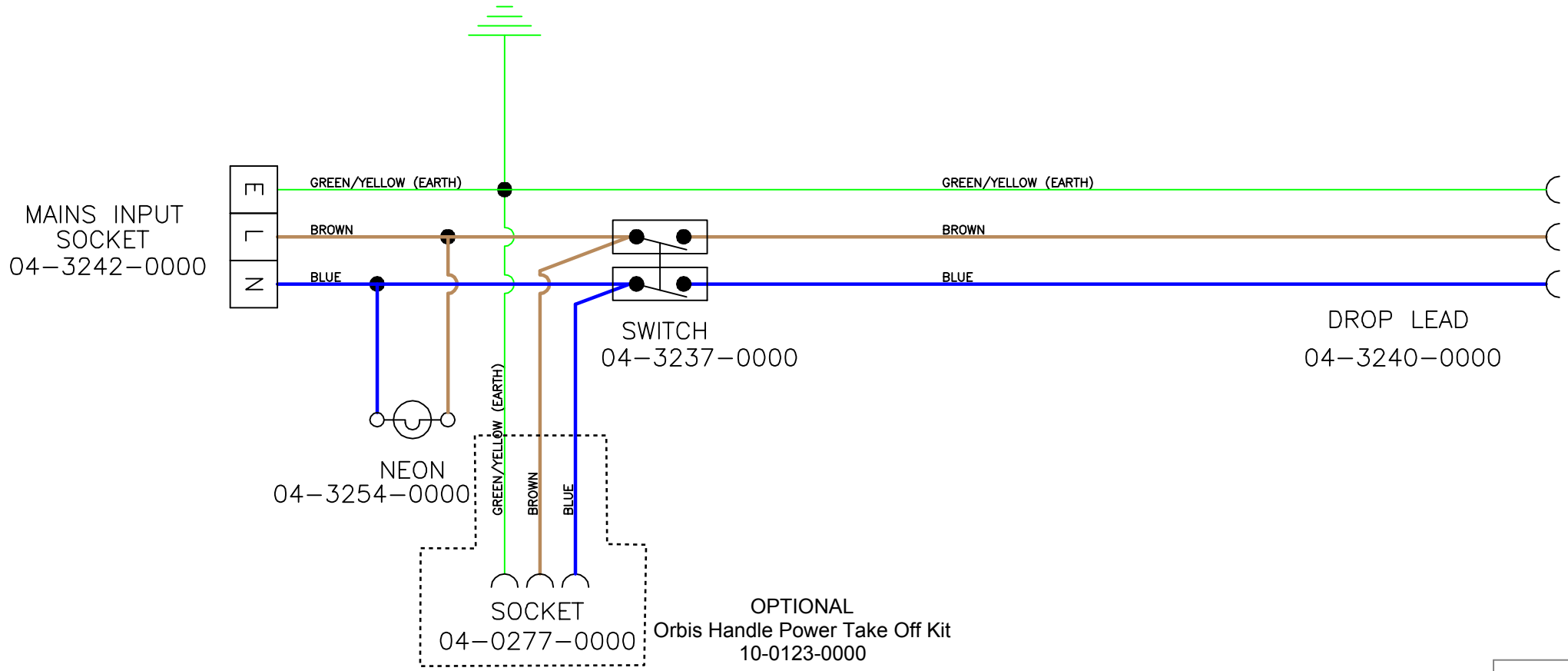
Reference Parts List Issue: 8

-

-

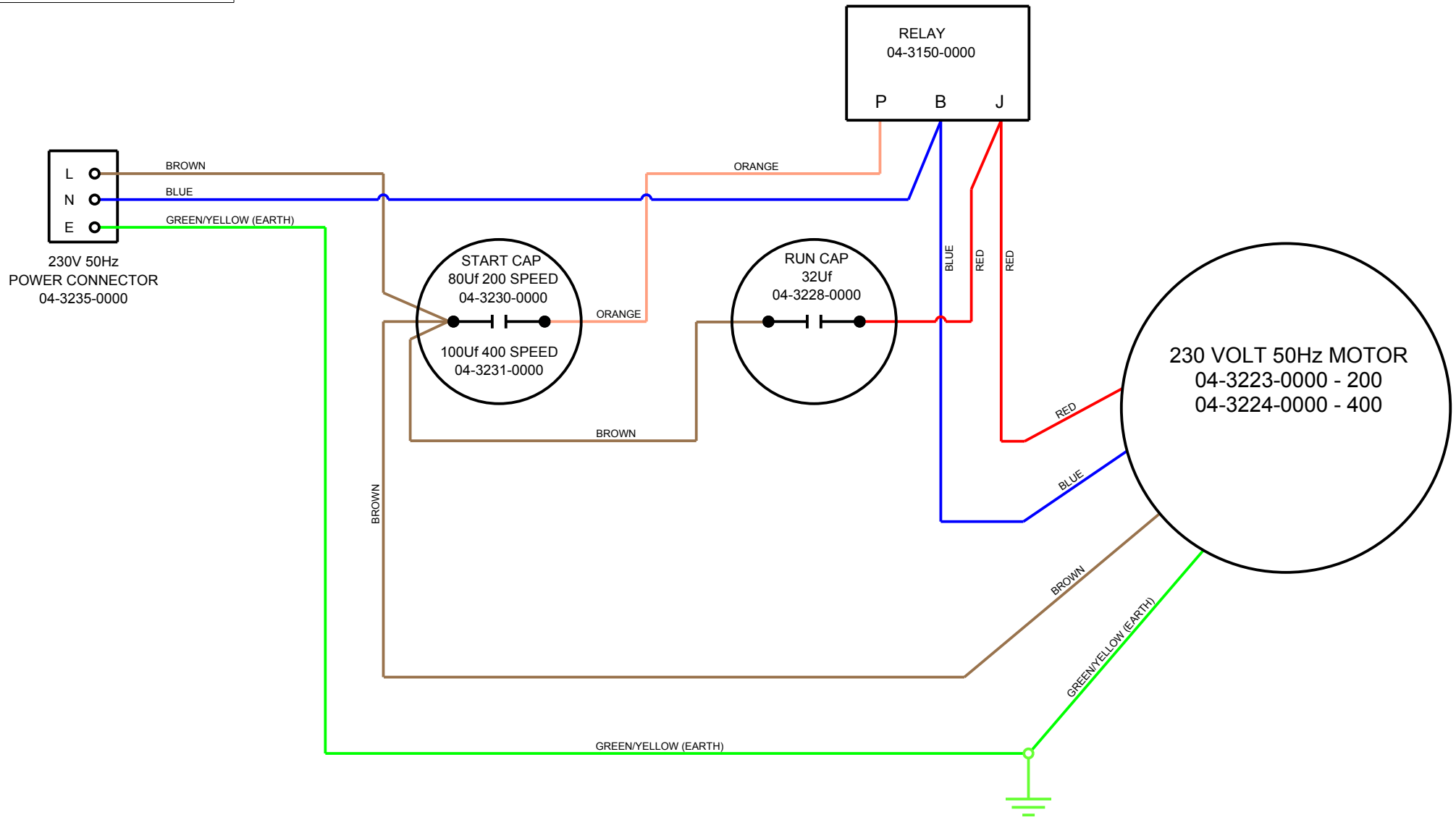
Drawing/Part Number
09-1127-0000

Issue	Amendments	Sig./Date
A	NEW DRAWING	15.12.10 M.D.C.
B	OPTIONAL POWER TAKE OFF KIT	03.09.13 N.P.D



RED
ON
MASTER

	<p>3RD ANGLE PROJECTION DIMENSIONS IN MILLIMETRES DO NOT SCALE DRAWING ©COPYRIGHT</p>	Material		General Tolerance		<p style="text-align: center;">TRUVOX™ INTERNATIONAL LIMITED</p>	
		Finish		Scale			
		Drawn	M.D.C.	Checked	M.D.C.	Date	15.12.10



			MATERIAL:		GEN TOL X ± 0.5 X.X ± 0.2 X.XX ± 0.1 ANG ± 0.5°		TM TRUVOX INTERNATIONAL LIMITED			
			FINISH:		SCALE: X : X					TITLE:
A	N/A	NEW DRAWING	MDC	14 DEC 10	DRN	CKD	ORBIS 200 AND 400 BASE WIRING DIAGRAM (230V 50Hz) LEROY MOTOR			PART NO.
ISSUE	ECN	CHANGES	INT	DATE	NMN					09-1126-0000_A